



Bhubaneswar Municipal Corporation **SHORT QUOTATION CALL NOTICE**

No. 9555 /BMC Dated: 22/02/2024

On behalf of the Commissioner, Bhubaneswar Municipal Corporation (BMC), the Deputy Commissioner (Procurement) invites sealed quotations from manufacturers/Private Ltd firm /Partnership firm/Proprietorship Firm/Retailers for **“Supply of Stainless steel non insulated Vessels and round plates for Aahaar Centre located in Bhubaneswar Municipal Corporation.”**

The bidder shall submit the application along with the financial proposal on or before dt: 01/03/2024 by 03:30 p.m by hand/post/courier. For further details regarding the short quotation call notice, the intending bidders may visit the BMC website <https://www.bmc.gov.in> for view or download the detailed information.

For any queries, please contact D.C (Procurement), BMC.

By Order of Commissioner, BMC

Sd/-

Deputy Commissioner (Procurement)
Bhubaneswar Municipal Corporation

Memo No. 9556, Dt.22/02/2024

Copy to PA to Commissioner, Bhubaneswar Municipal Corporation, for kind information of Commissioner, Bhubaneswar Municipal Corporation.

Sd/-

Deputy Commissioner (Procurement)
Bhubaneswar Municipal Corporation

Memo No. 9557 Dt. 22/02/2024

Copy to PA to ADC-II, Bhubaneswar Municipal Corporation, for kind information of ADC-II, Bhubaneswar Municipal Corporation.

Sd/-

Deputy Commissioner (Procurement)
Bhubaneswar Municipal Corporation

SHORT QUOTATION CALL NOTICE

No: 9555 /BMC Dated: 22/02/2024

Sealed Quotations are invited by the Bhubaneswar Municipal Corporation (BMC) from the eligible firms/ agencies (the "Bidders") to undertake the work of " **Supply of Stainless steel non insulated Vessels and round plates for Aahaar Centre located in Bhubaneswar Municipal Corporation**".

Schedule of Event

Sr. No.	Description	Date & Time
1	Issue of Advertisement & Uploading of bid document	22/02/2024 by 5:00 p.m.
2	Last date and time for submission of proposal	01/03/2024 by 03:30 p.m.
3	Opening of the Proposal	01/03/2024 by 05:30 p.m.

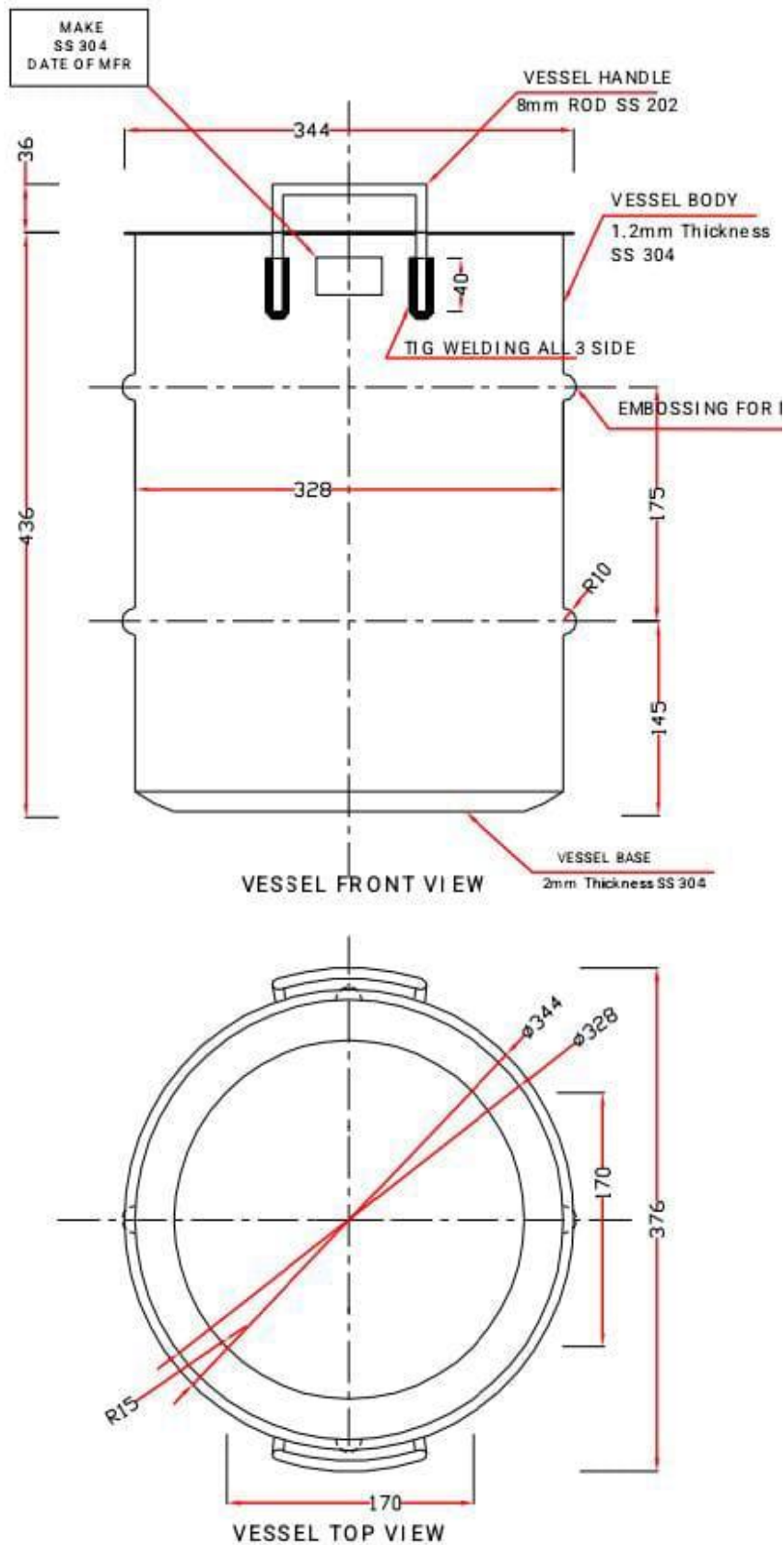
1- Eligibility Criteria:

- a) The bidder shall be a Limited Firm/ Private Limited Firm/Partnership Firm/Proprietorship Firm/retail supplier or Manufacturer of high-quality ID cards.
- b) The supplier must have a valid GST and PAN.
- c) The bidder must have executed supply of at least two jobs of a similar nature. Copies of the work orders for these projects must be submitted as part of the bid.
- d) The average financial turnover of the bidder must be 30 Lakhs over the last three financial years.

2. Scope of Work:


- a) The selected supplier shall provide stainless steel vessels and round plates of specified dimensions and quantities as per the requirements outlined in the technical specifications.
- b) Each supplied plate is sturdy and suitable for everyday handling in the kitchen.
- c) The supply of approved SS vessels and round plates will be delivered within 15 days after getting the final LoA.
- d) The supply of SS vessels and round plates shall be made at the BMC office at the address as given below:
Bhubaneswar Municipal Corporation
BMC-ICOMC Tower, Unit-IX
Janpath, Bhubaneswar-751007, ODISHA.
- e) The supplier shall be responsible for the timely delivery of the stainless-steel vessels and round plates to the specified location.
- f) Any damaged or faulty vessels and round plates received must be replaced immediately by the supplier at no extra charge to Bhubaneswar Municipal Corporation.
- g) Any deviations from the technical specifications must be clearly stated and justified in the proposal.
- h) The supplier shall be liable for any defects or damages to the supplied products during transportation.

- i) The scope of works includes printing and supply of approx. 44 nos. of Stainless-steel vessels and round plates (1000 nos) as per the specifications given below:



Field	Value
Vessel Material	100% food grade Stainless Steel.
Colour	stainless steel's unique mirror finish
Shape	Round
Product Dimensions	As per the above drawing
Size	As per the above drawing
Item Weight	As per standard
Thickness	As per the above drawing
Gauge	18 or more
Country of Origin	India
HSN Code	73239420

Specification and drawing of Stainless-steel round plates

 <p style="text-align: center;">11 inch</p>	Field	Value
	Material	100% food grade Stainless Steel.
	Colour	stainless steel's unique mirror finish
	Shape	Round
	Product Dimensions	285.5mm * 36mm
	Size	11 inch
	Item Weight	0.450 gms or more
	Thickness	0.6mm or more
	Gauge	18 or more
	Country of Origin	India
HSN Code	73239420	

3- Terms & Conditions:

- a) The bidder shall quote the rate of Supply of Stainless-steel vessels and round plates for Aahaar Centre located in Bhubaneswar Municipal Corporation including all packaging, and transportation.
- b) Payment terms shall be mutually agreed upon between Bhubaneswar Municipal Corporation and the selected supplier.
- c) TDS will be charged as per Income Tax rule.
- d) Manufacture must be done as per government standards.
- e) Order for supply will be placed in bulk as per requirement, which are approx. 44 nos. of SS round vessels and round plates (1000 nos). These numbers may increase or decrease as per the real requirements.
- f) No separate cost to be allowed.
- g) Conditional tender is not acceptable and will be out rightly rejected.

4. Additional Notes:

- a) The bidders are expected to ensure the quality and strictly adhered to the requirement mentioned above under clause-1 to 3.
- b) The bidder submitting its proposal accompanying with all required documents mentioned under above clause-1 to clause-3 and quoted the lowest financial offer (L1 bidder) for "Supply of Stainless-steel vessels and round plates for Aahaar Centre located in Bhubaneswar Municipal Corporation" shall be selected as the successful bidder.

- c) The sealed envelope with application and financial proposal in the prescribed format clearly mention on it **“Supply of Stainless steel non insulated Vessels and round plates for Aahaar Centre located in Bhubaneswar Municipal Corporation.”** shall reach the following address:

**Deputy Commissioner (Procurement),
Bhubaneswar Municipal Corporation (BMC)
ICOMC Tower at satya nagar, on janpath, unit-IX,
Bhubaneswar-751007, Odisha, india.**

- d) BMC shall assume no risk for premature opening or misplacement of envelope due to improper addressing or not mentioning the name of the work and to who it is addressed as mentioned at point no (f).
- e) The quotations shall be received by hand/ postal/courier. Applications received after due date and time shall be summarily rejected and BMC is not responsible for any delay of postal/courier delivery.
- f) The authority will issue the work order to the L1 bidder quoting the lowest price.
- g) The authority reserves the right to reject or accept any quotations without assigning the reasons thereof. The quotations received in incomplete shape or after due date shall be summarily rejected.

5. Documents to be provided by the bidder:

- a) The bidder must submit the documents in accordance with the eligibility criteria (Clause no-1).
- b) The supplier shall furnish purchase order/work order (at least 2 nos.) in support of justification for the supply.
- c) Bidder information document in Annexure-1.
- d) Valid GST Registration Certificate.
- e) Valid PAN details.
- f) Financial Proposal in Annexure-2 (separately sealed).

**Sd/-
Deputy Commissioner (Procurement)
Bhubaneswar Municipal Corporation**

Annexure-1
Bidder Information Document
(To be submitted in bidders letter head)

Sl. No	Particulars	Remarks
1.	Name of the Organisation/Supplier	
2.	Office Address	
3.	Name of the Proprietor/contact Person with Contact No & mail ID	
4.	Valid GST No.	
5.	Valid PAN No.	
6.	Documents to be attached	(i) Valid GST Registration Certificate (ii) Photocopy of PAN & Aadhar of Proprietor.
7.	Manufacturer/authorised partner/distributor/dealer	

Seal & Signature of the Bidder

Full Name of the Bidder/Supplier

Date: _____

Annexure-2
Format for Submission of Financial Proposal by the Bidder
(To be submitted separately in bidders letter head)

To,

The Deputy Commissioner (Procurement),
Bhubaneswar Municipal Corporation (BMC)
ICOMC Tower at satya nagar, janpath, unit-IX,
Bhubaneswar-751007, Odisha, india.

Sub: "Supply of Stainless-steel vessels and round plates for Aahaar Centre located in Bhubaneswar Municipal Corporation".

Sir,

Being duly authorized to represent and act on behalf of _____ (Name of the Bidder), having reviewed and fully understood all the requirements of the Short Quotation Call Notice issued by BMC vide no. _____ dated _____ for "**Supply of Stainless steel vessels and round plates for Aahaar Centre located in Bhubaneswar Municipal Corporation**", hereby submitting the financial proposal in the prescribed format as given below:

SI No.	Component	Quantity required. (A)	Amount in Rs./unit (B)	Cost of material in Rs. (A X B)	Applicable GST in Rs.	Total cost in Rs. Inclusive of GST
1	Stainless Steel round plates as per specification	1000 Nos				
2	Stainless Steel round vessels as per specification	44 Nos				
	Total Amount in Rs. (Inclusive of GST)					
	Applicable GST in	%				

Yours faithfully,

Seal & Signature of the Bidder

Full Name of the Bidder/Proprietor

Date: