

SANCTION TEXT

APPROVING AUTHORITY DIGITAL SIGNATURE

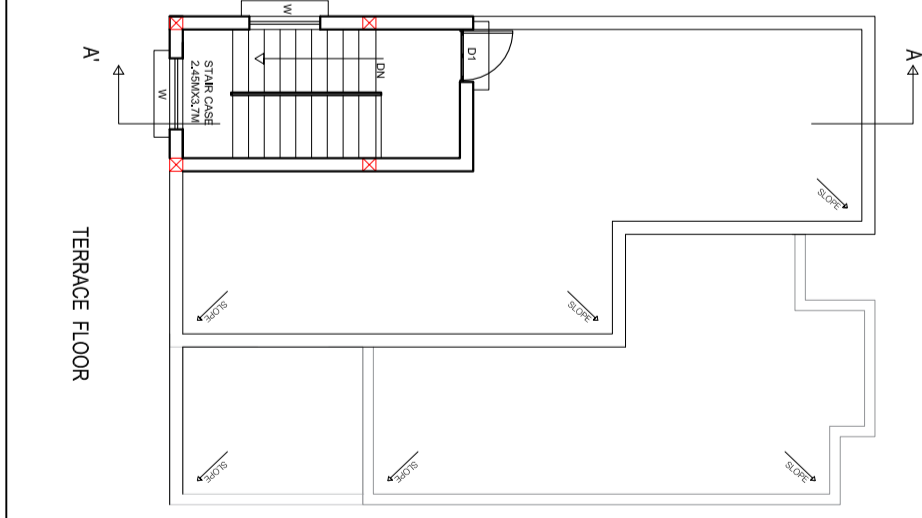
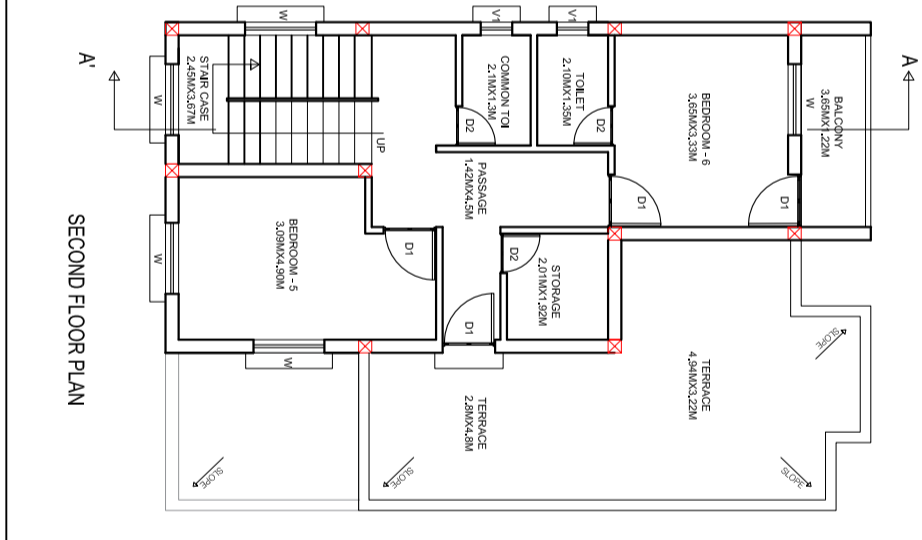
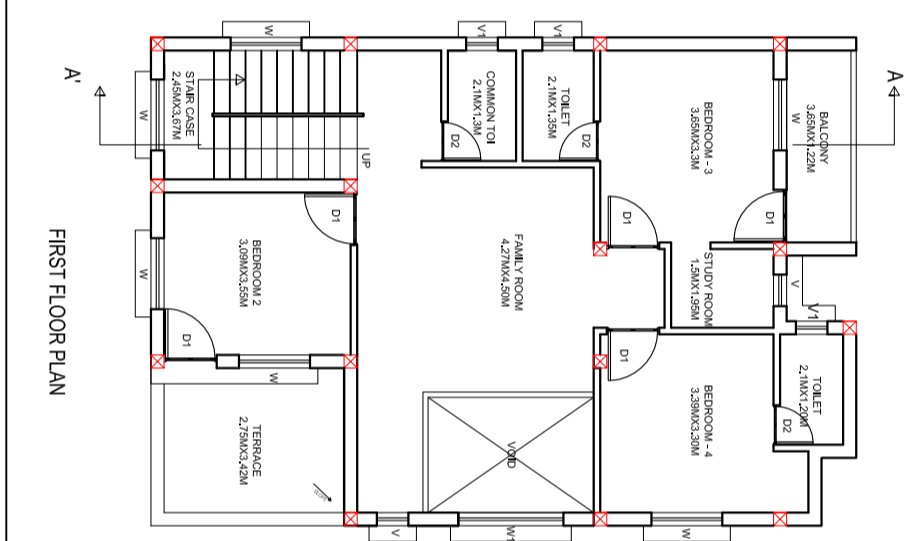
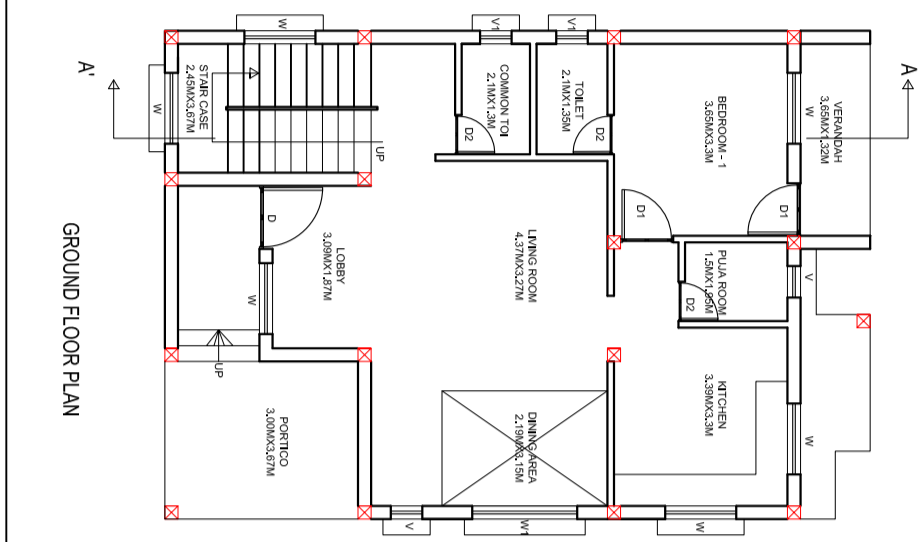
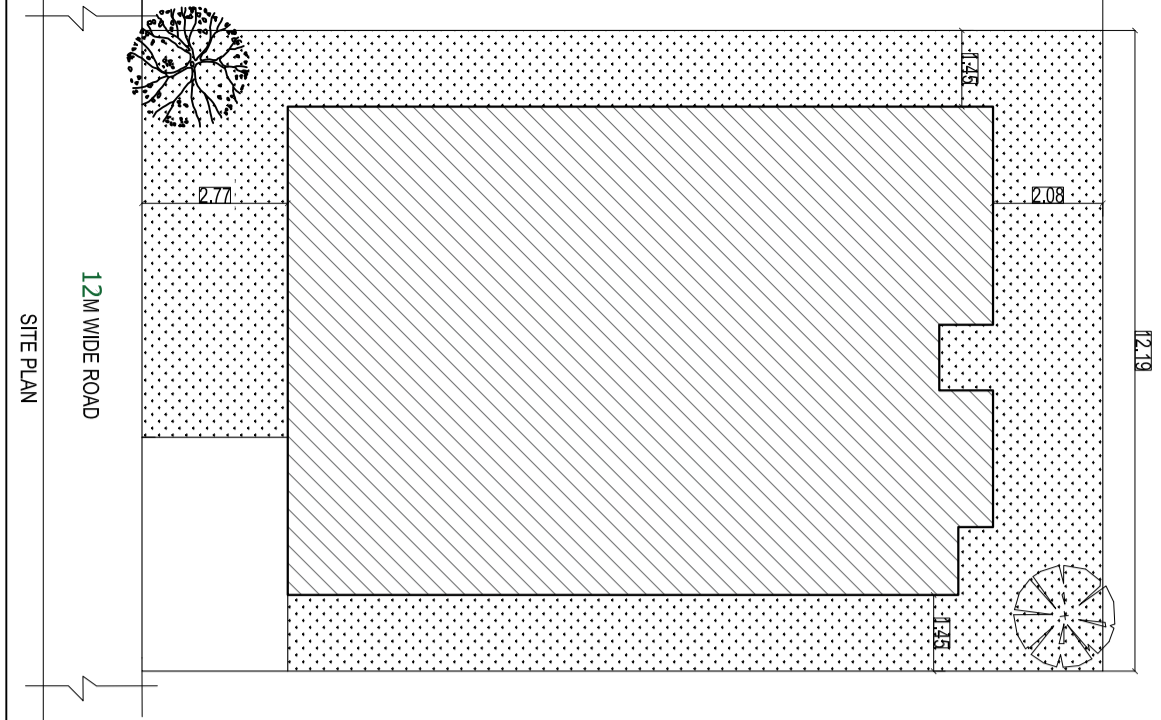
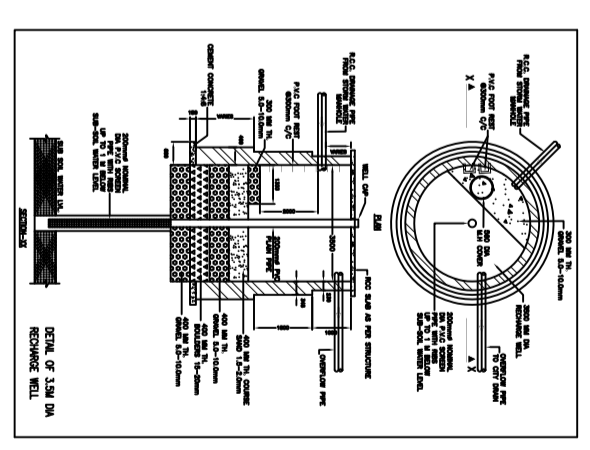
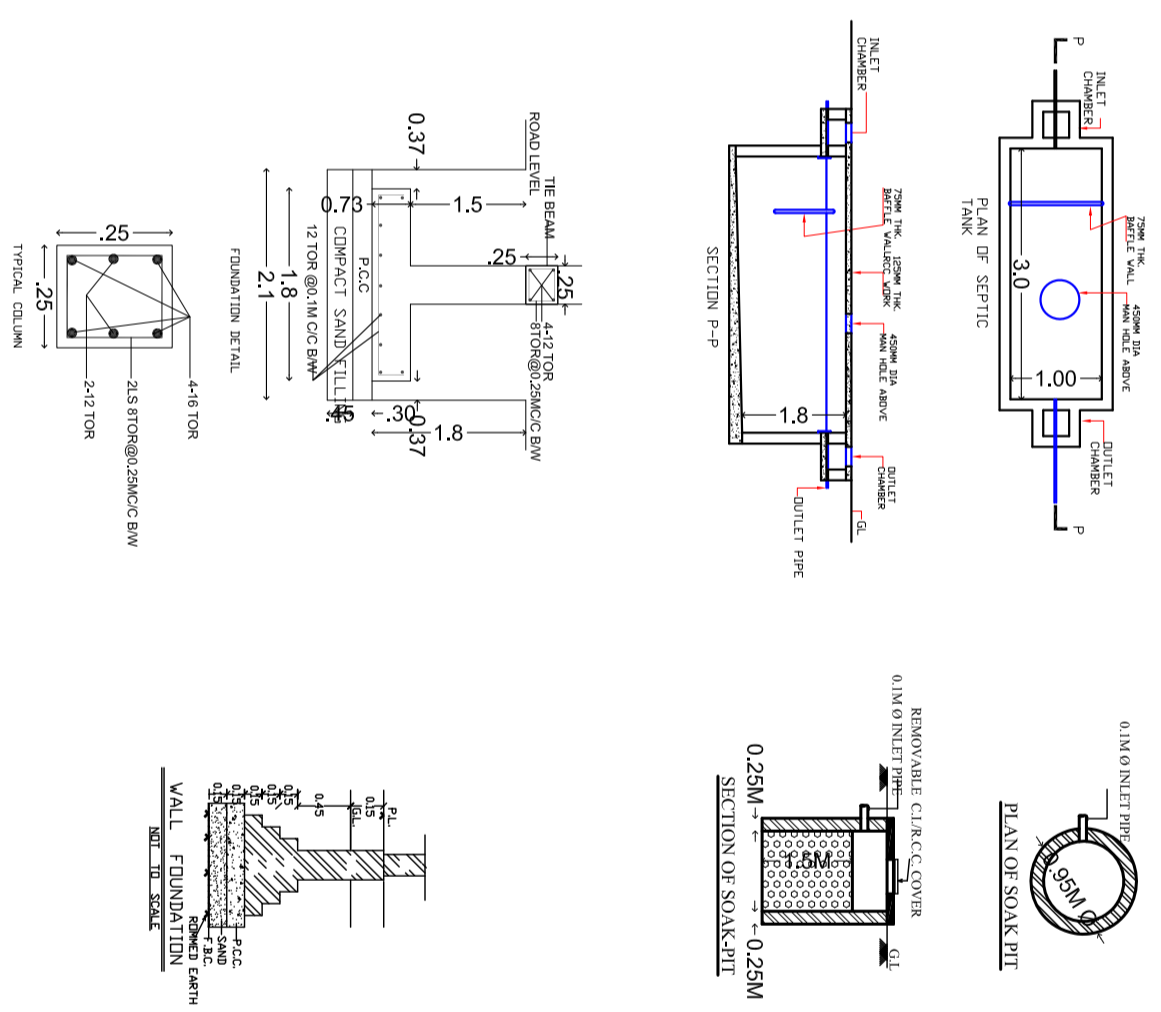
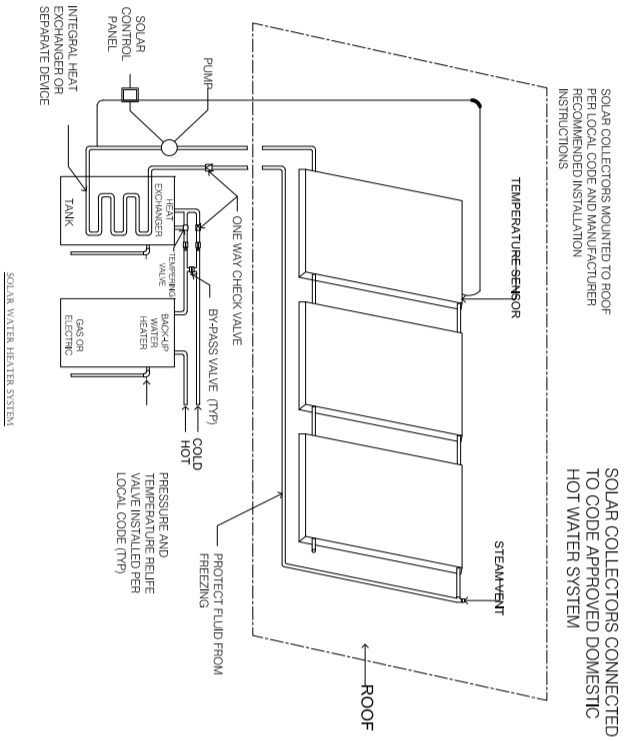
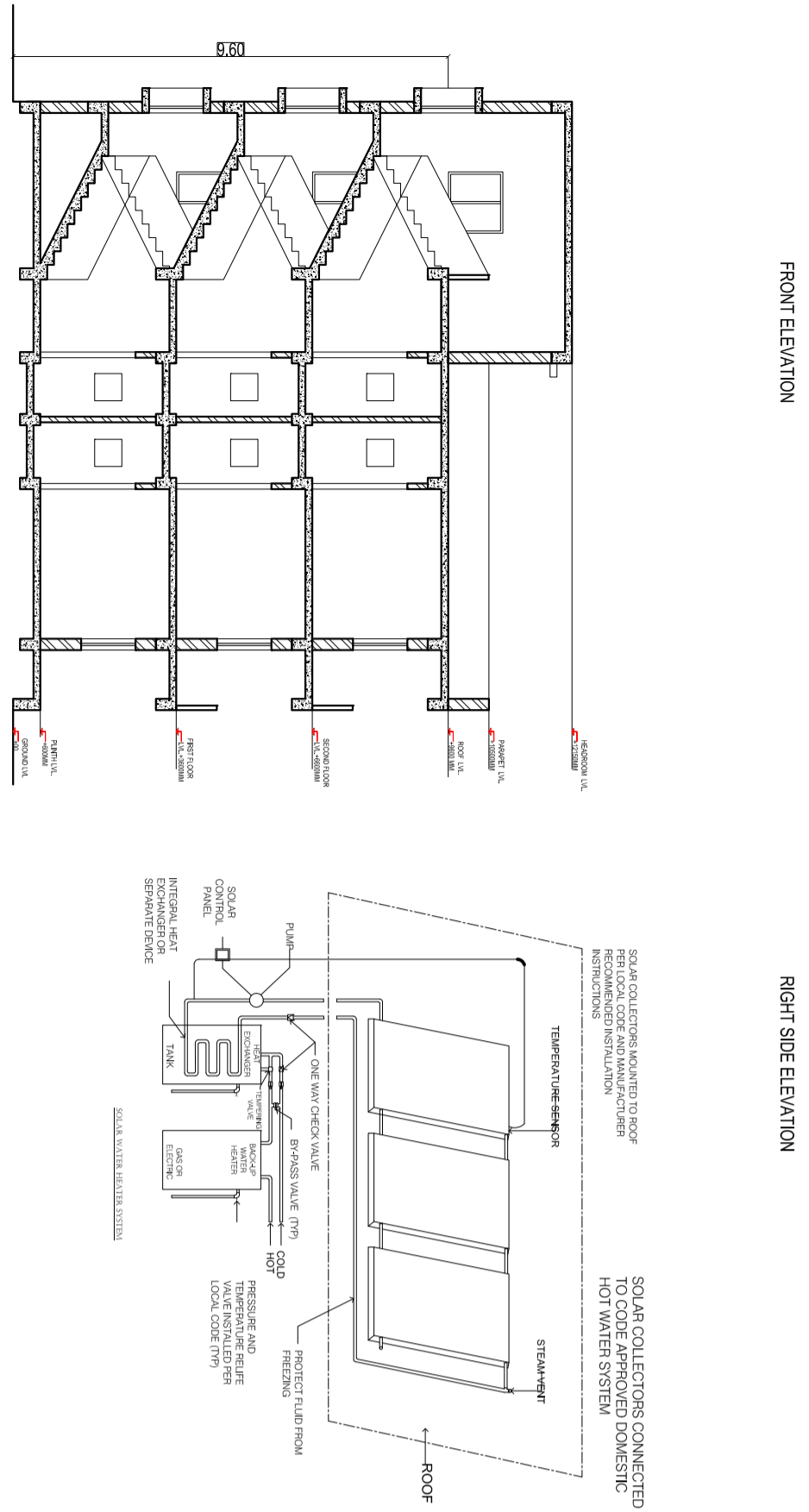
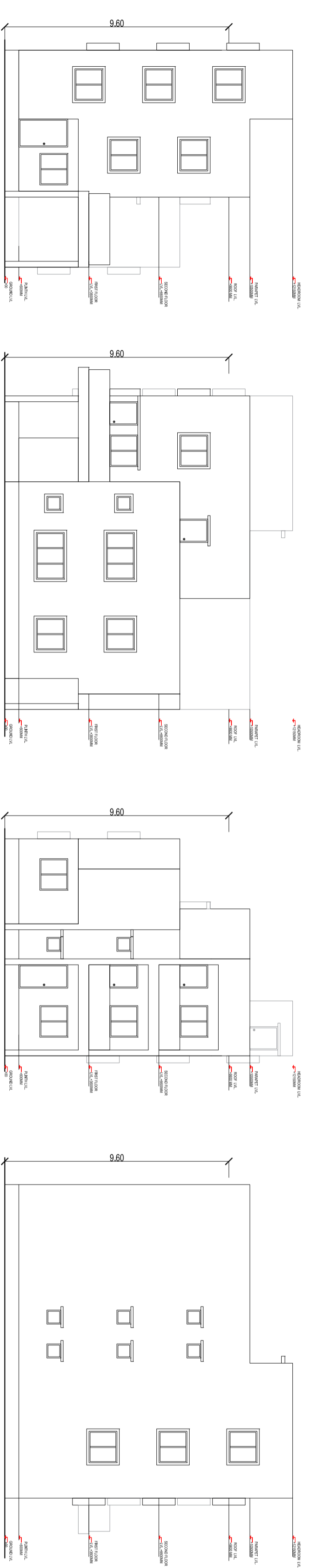
DOOR & WINDOW SCHEDULE			
S/L NO.	TYPE	SIZE	DESCRIPTION
1	D	1.20 X 2.10	PANELLED DOOR
2	D1	1.00 X 2.10	PANELLED DOOR
3	D2	0.90 X 2.10	PANELLED DOOR
4	W	1.95 X 1.20	MS. GLAZED WINDOW
5	W1	2.00 X 1.20	MS. GLAZED WINDOW
6	V	0.60 X 0.60	MS. GLAZED VENTILATOR

AREA AND BUILDING PARAMETERS			
PLOT DIMENSIONS (IN FEET)	40' X 60'		
PLOT DIMENSIONS (IN MT)	12.19M X 18.28M		
PLOT AREA	222.83 SQMT		
GROUND FLOOR BUILT UP AREA	117.93 SQMT		
FIRST FLOOR BUILT UP AREA	104.30 SQMT		
SECOND FLOOR BUILT UP AREA	74.29 SQMT		
TOTAL BUILT UP AREA	296.52 SQMT		
FLOOR AREA RATIO (FAR)	1.33		
BUILDING HEIGHT	9.60 MT		
PLANTATION AREA	0 SQMT		
NUMBER OF TREES PROVIDED	2 NOS.		

APPLICANT DETAILS	
NAME OF APPLICANT	
ADDRESS	
CONTACT NUMBER	

LAND DETAILS	
REVENUE VILLAGE	
REVENUE PLOT NO	
SCHEME PLOT NO/LAYOUT	
PLOT NO/ SUB PLOT NO	
KHATA NUMBER	

SITE PLAN



DRAWING TITLE

PROPOSED G+2 STOREIED RESIDENTIAL HOUSE

THIS IS A STANDARDIZED PRE-APPROVED PLAN PROVIDED BY