

SANCTION TEXT

APPROVING AUTHORITY DIGITAL SIGNATURE

DOOR & WINDOW SCHEDULE

SL. NO.	TYPE	SIZE	DESCRIPTION
1	D	1.20 X 2.10	PANELLED DOOR
2	D1	1.00 X 2.10	PANELLED DOOR
3	D2	0.90 X 2.10	PANELLED DOOR
4	W1	1.95 X 1.20	MS. GLAZED WINDOW
5	W2	2.00 X 1.20	MS. GLAZED WINDOW
6	W3	1.25 X 1.20	MS. GLAZED WINDOW
7	V	0.60 X 0.60	MS. GLAZED VENTILATOR

AREA AND BUILDING PARAMETERS

PLOT DIMENSIONS (IN FEET)	40' X 60'
PLOT DIMENSIONS (IN MT)	12.19M X 18.28M
PLOT AREA	222.83 SQMT
GROUND FLOOR BUILT UP AREA	108.00 SQMT
FIRST FLOOR BUILT UP AREA	85.52 SQMT
TOTAL BUILT UP AREA	193.52 SQMT
FLOOR AREA RATIO (FAR)	0.86
BUILDING HEIGHT	6.60 MT
PLANTATION AREA	
NUMBER OF TREES PROVIDED	2 NOS.

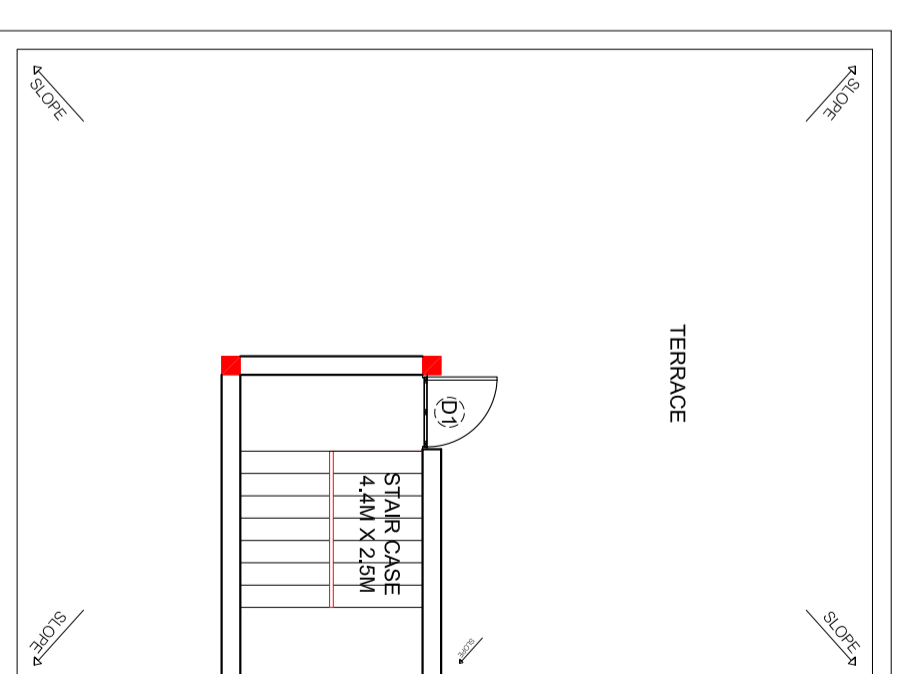
APPLICANT DETAILS

NAME OF APPLICANT	
ADDRESS	
CONTACT NUMBER	

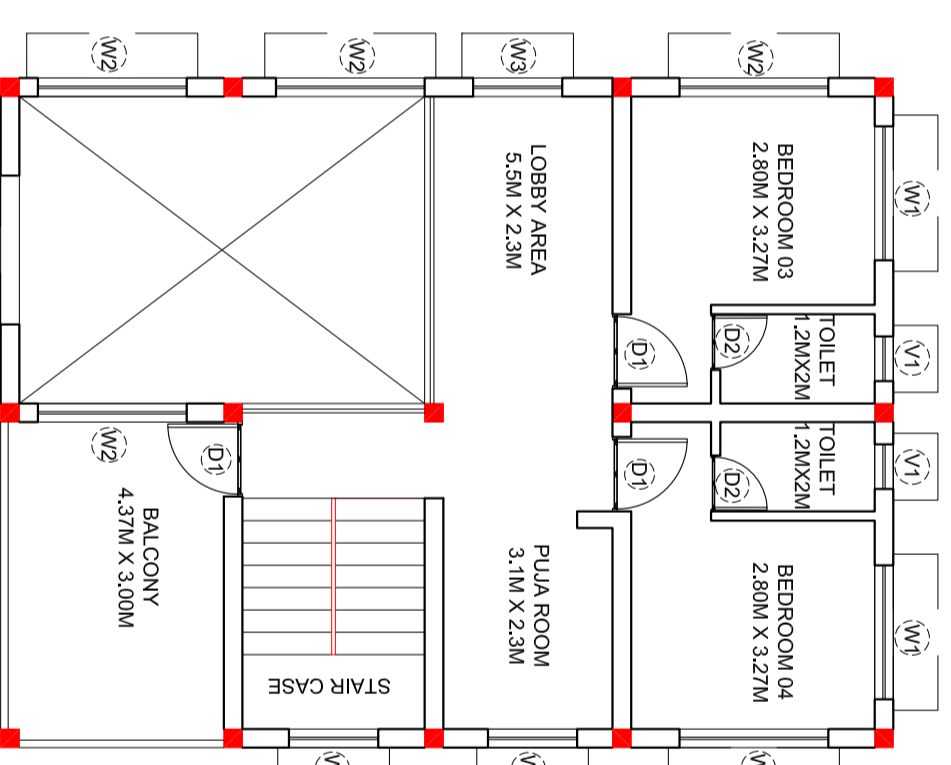
LAND DETAILS

REVENUE VILLAGE	
REVENUE PLOT NO	
SCHEME PLOT NO/ LAYOUT	
PLOT NO/ SUB PLOT NO	
KHATA NUMBER	

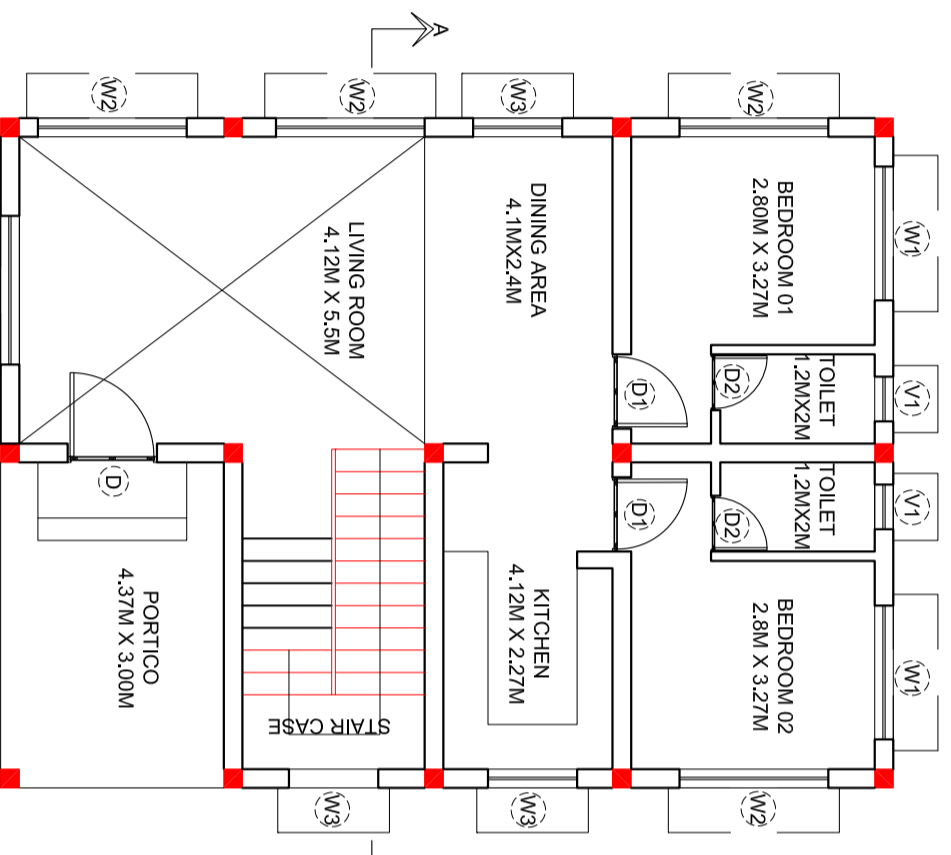
SITE PLAN



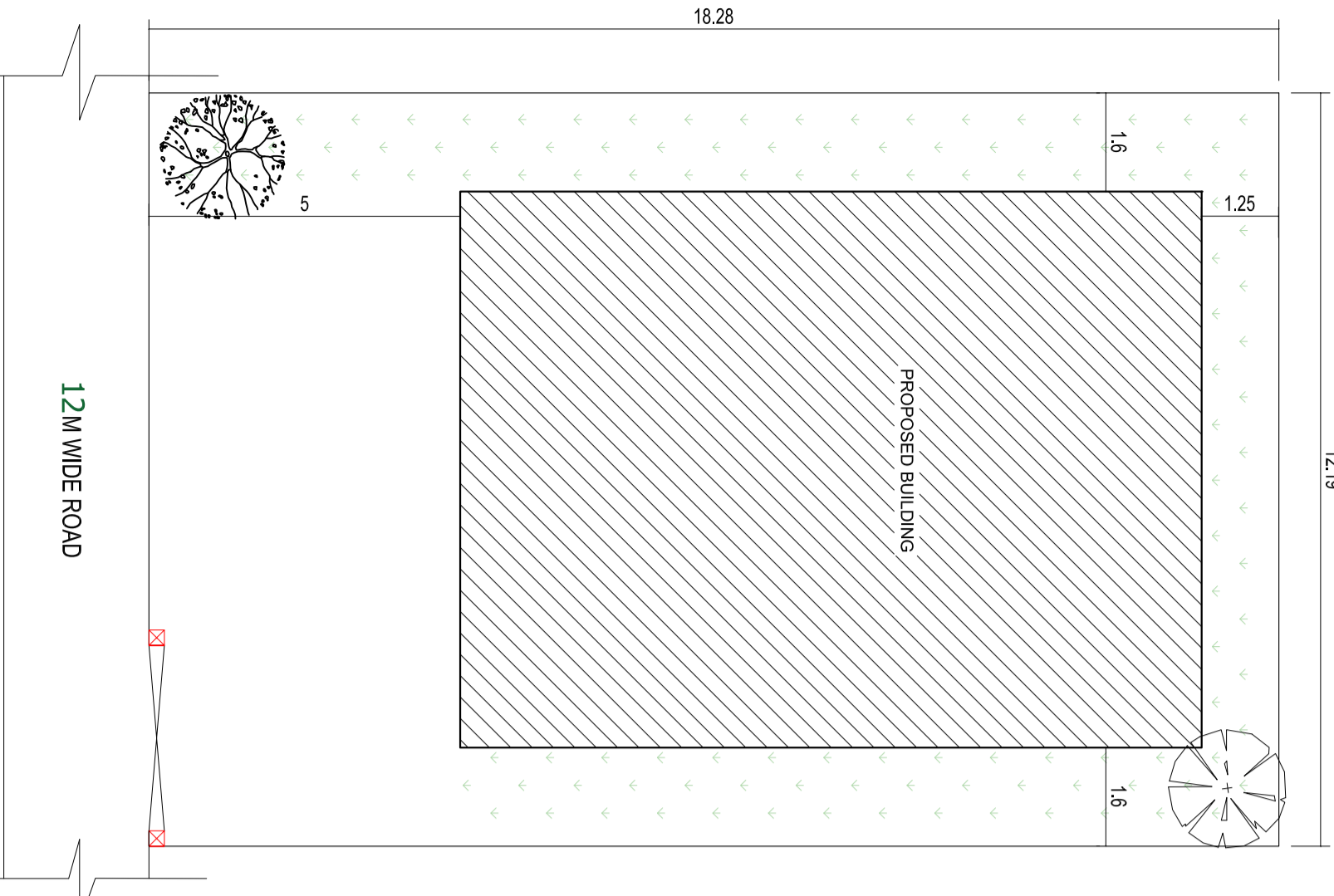
ROOF PLAN



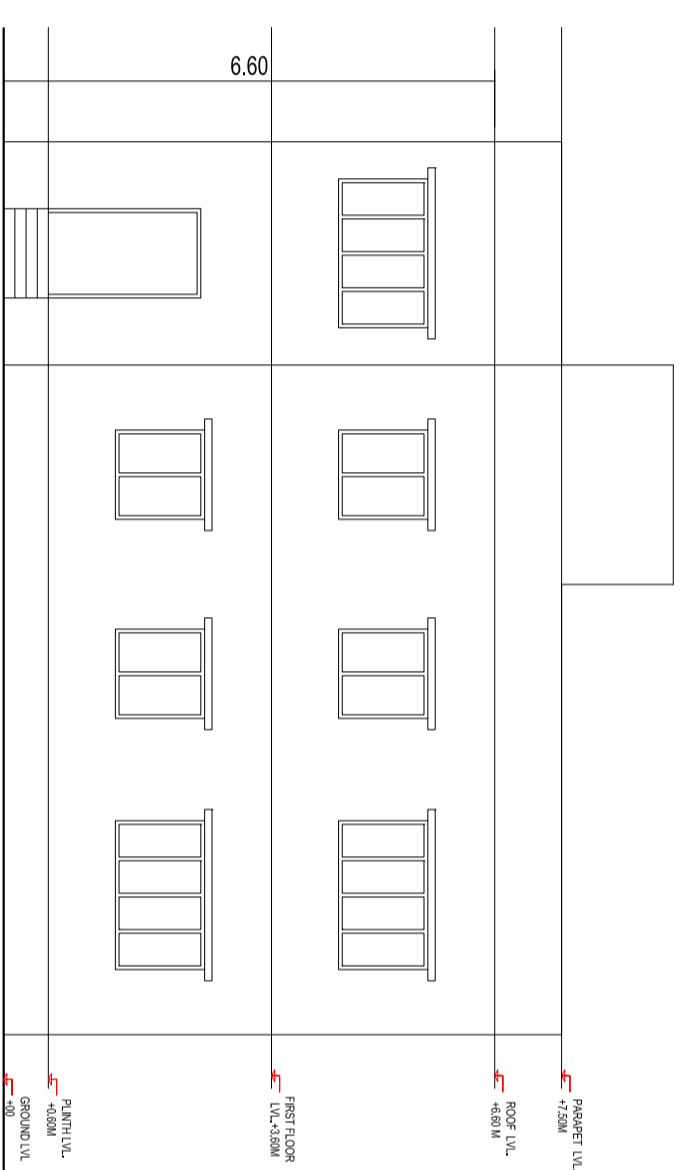
FIRST FLOOR PLAN



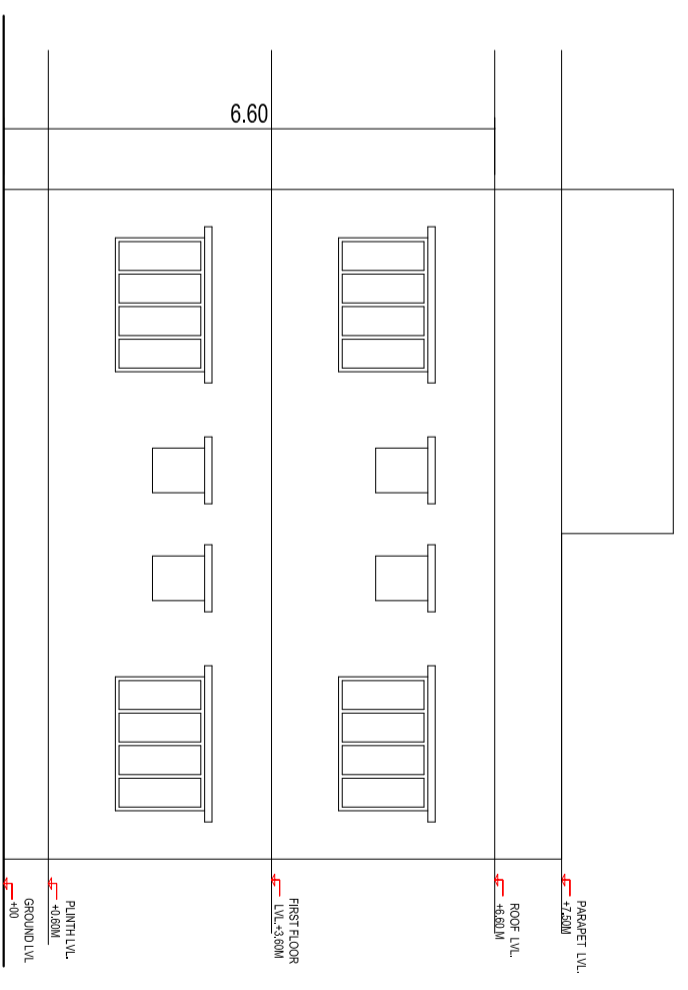
GROUND FLOOR PLAN



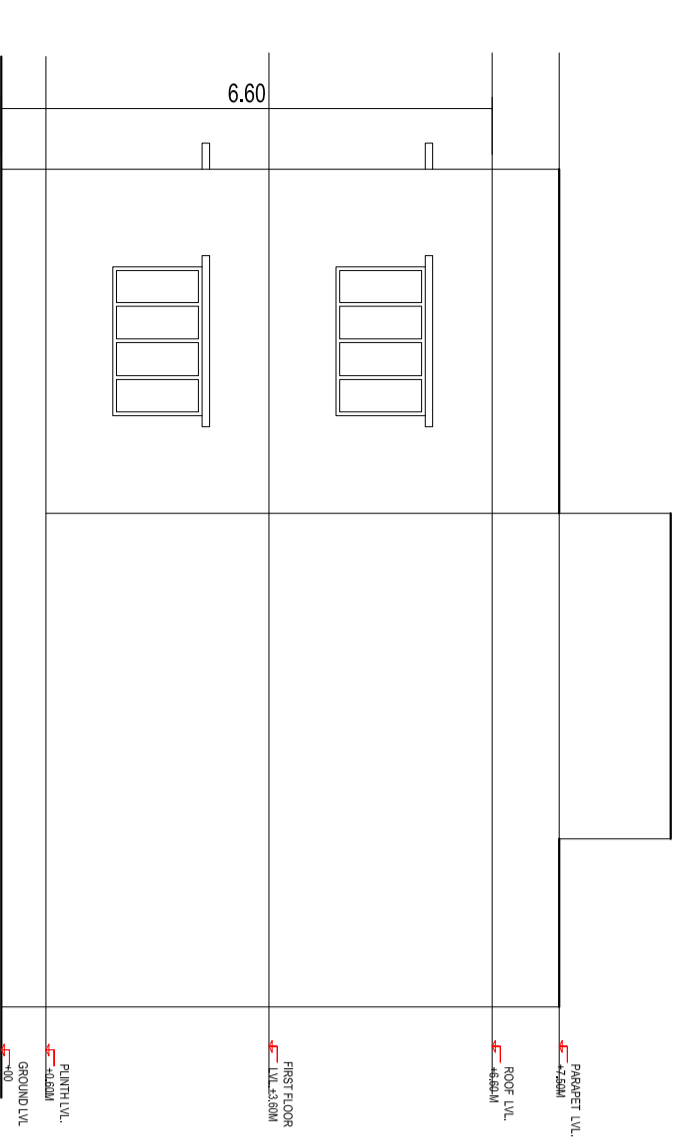
LAYOUT PLAN



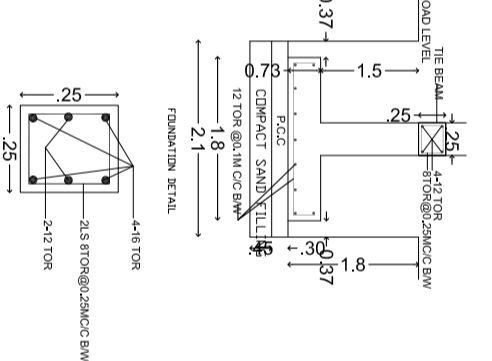
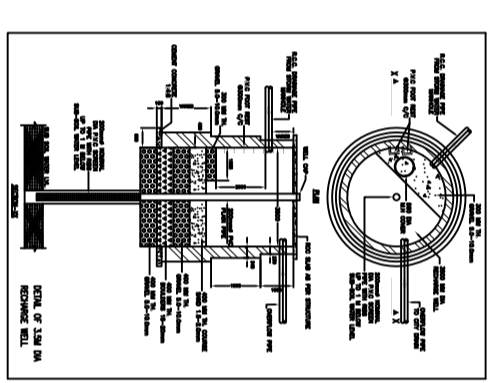
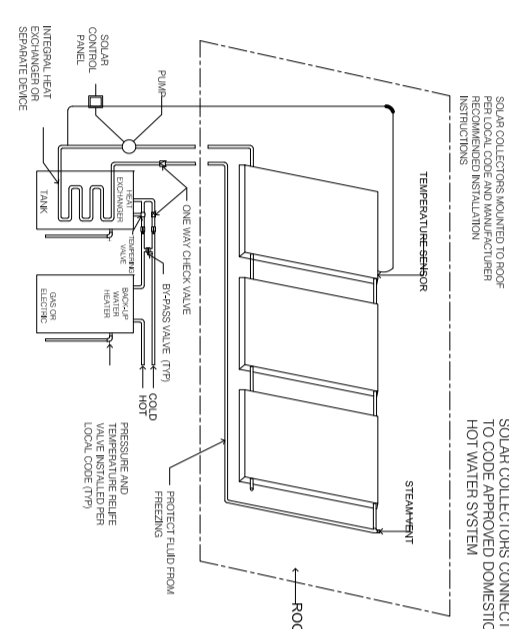
LEFT ELEVATION



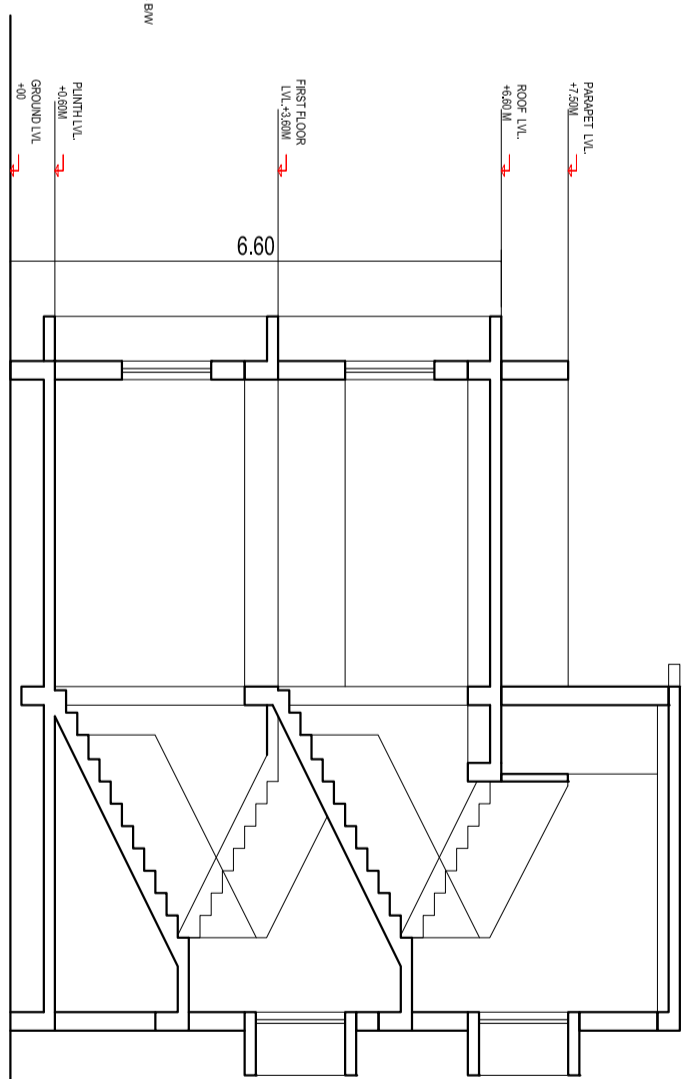
RIGHT ELEVATION



FRONT ELEVATION



SECTION A-A'



DRAWING TITLE
**PROPOSED G + 1 STOREIED
 RESIDENTIAL HOUSE**

THIS IS A STANDARDIZED
 PRE-APPROVED PLAN PROVIDED BY

