

SANCTION TEXT

APPROVING AUTHORITY DIGITAL SIGNATURE

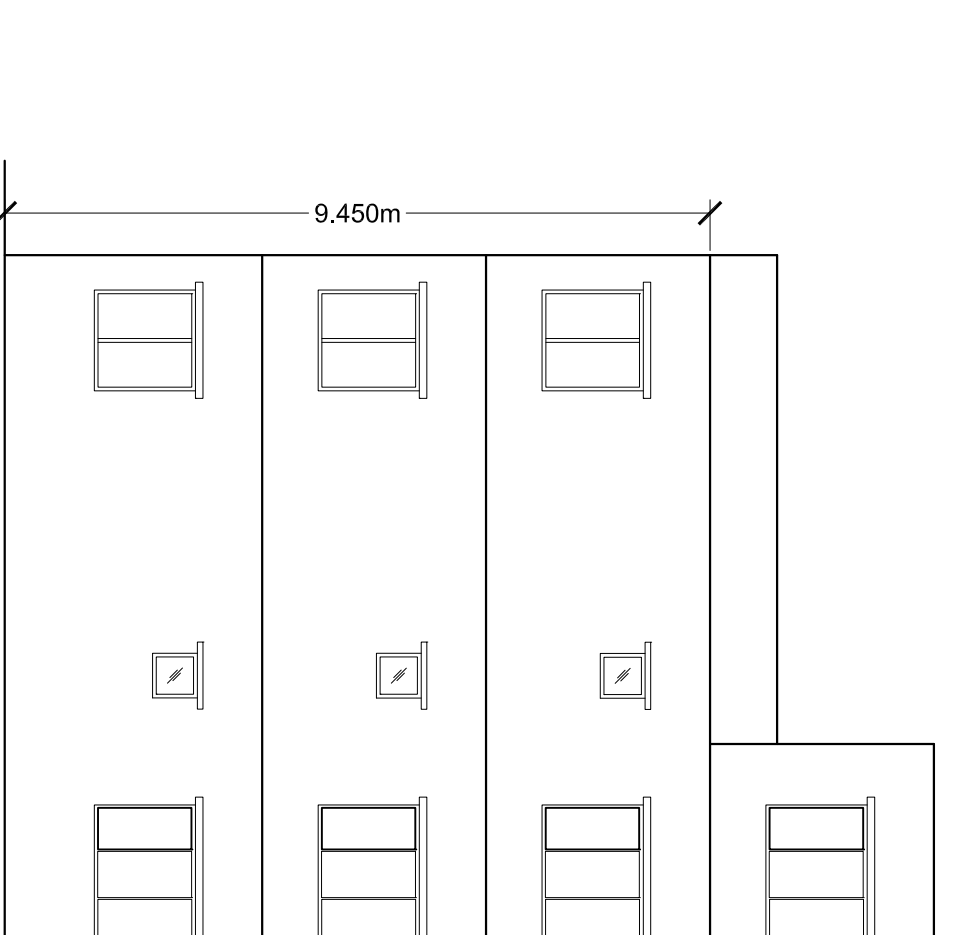
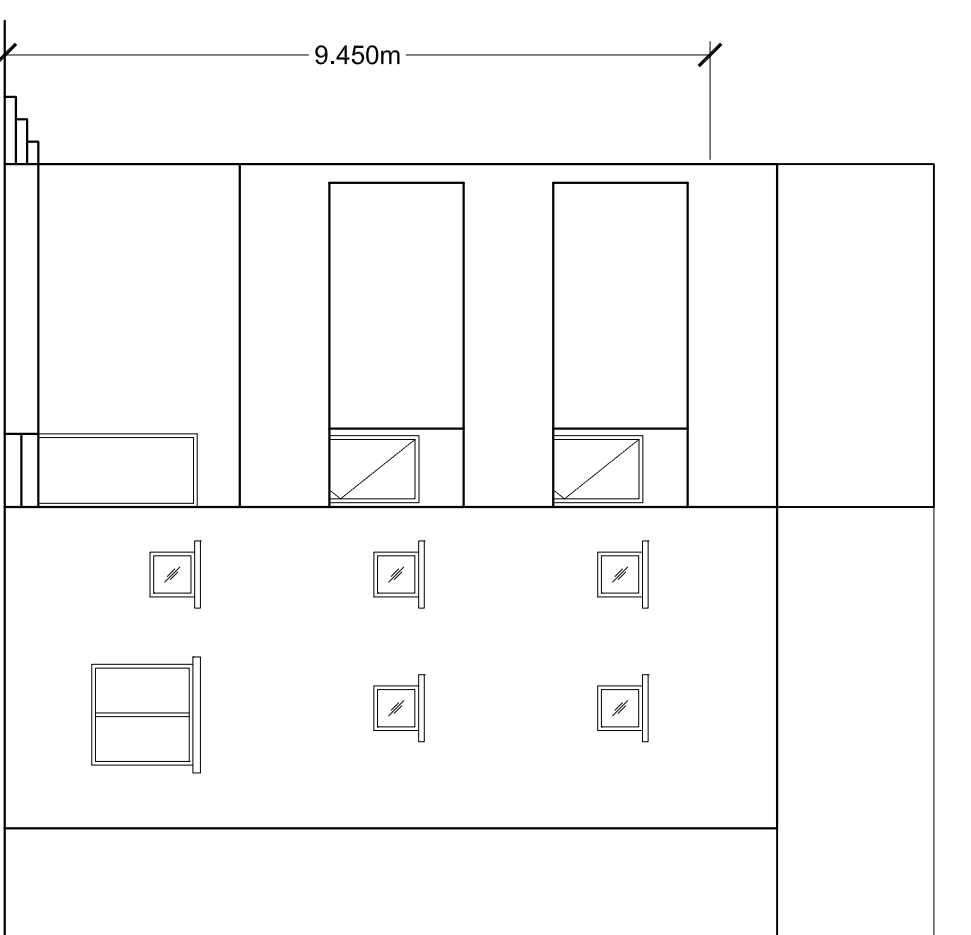
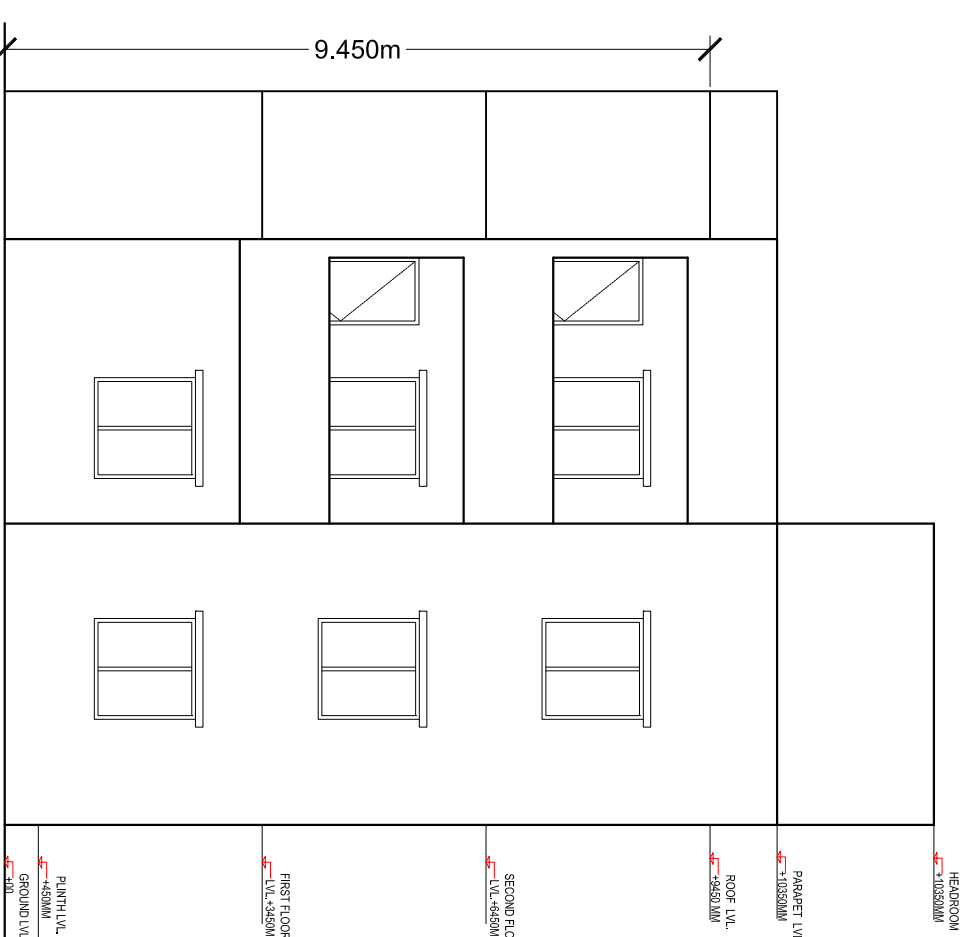
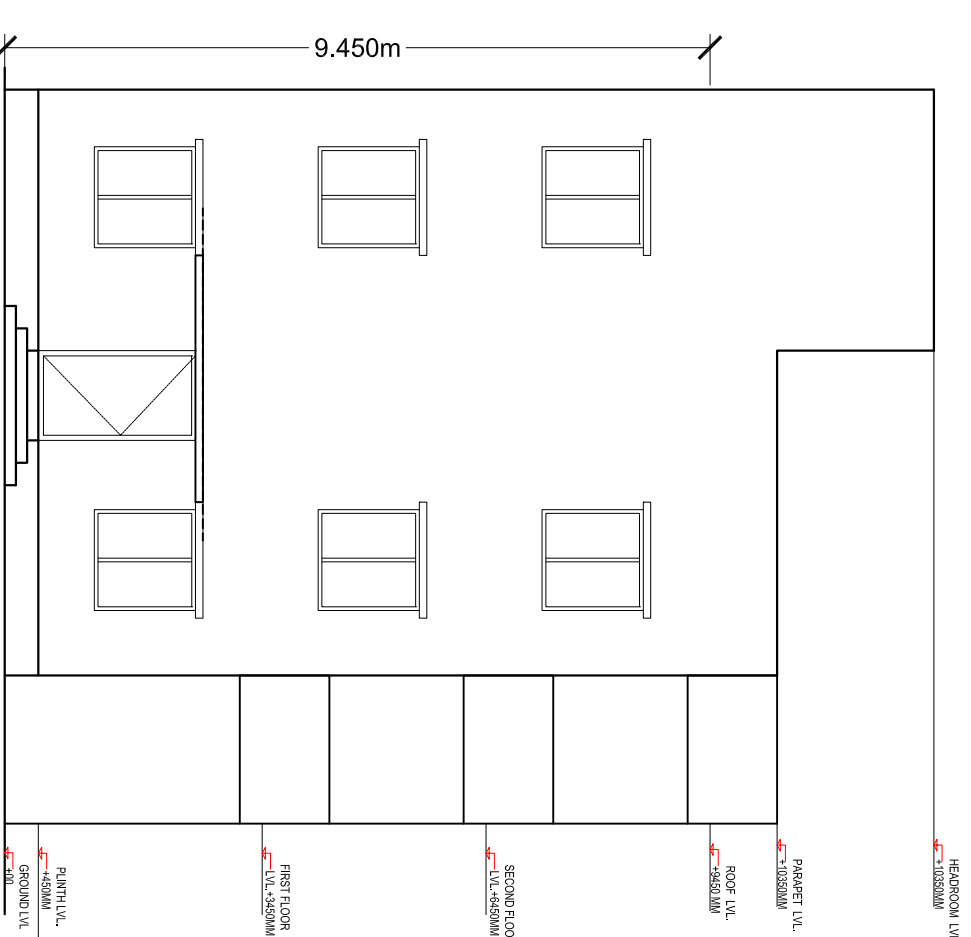
DOOR & WINDOW SCHEDULE		
SL. NO.	TYPE	DESCRIPTION
1	D	0.90 X 2.10 PANELLED DOOR
2	D1	1.00 X 2.10 PANELLED DOOR
3	W	1.35 X 1.50 MS. GLAZED WINDOW
4	W1	2.00 X 1.50 MS. GLAZED WINDOW
5	V	0.60 X 0.60 MS. GLAZED VENTILATOR

AREA AND BUILDING PARAMETERS		
PLOT DIMENSIONS (IN FEET)	40' X 50'	
PLOT DIMENSIONS (IN MT)	12.19M X 15.24M	
PLOT AREA	185.77 SQMT	
GROUND FLOOR BUILT UP AREA	106.15 SQMT	
FIRST FLOOR BUILT UP AREA	106.15 SQMT	
SECOND FLOOR BUILT UP AREA	106.15 SQMT	
TOTAL BUILT UP AREA	318.45 SQMT	
FLOOR AREA RATIO (FAR)	1.71	
BUILDING HEIGHT	9.45 MT	
PLANTATION AREA	48.6 SQMT	
NUMBER OF TREES PROVIDED	2 NOS.	

APPLICANT DETAILS	
NAME OF APPLICANT	
ADDRESS	
CONTACT NUMBER	

LAND DETAILS	
REVENUE VILLAGE	
REVENUE PLOT NO	
SCHEME PLOT NO/LAYOUT	
PLOT NO./SUB PLOT NO	
KHATA NUMBER	

SITE PLAN	
DRAWING TITLE	PROPOSED G+2 STOREIED RESIDENTIAL HOUSE
THIS IS A STANDARDIZED PRE-APPROVED PLAN PROVIDED BY	

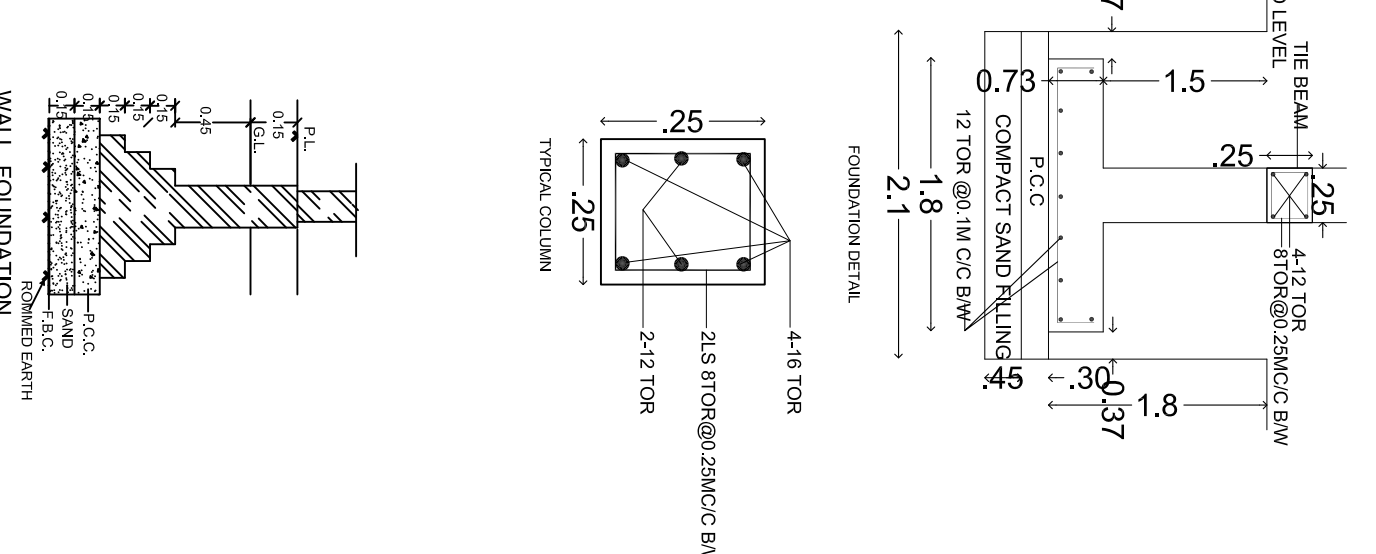
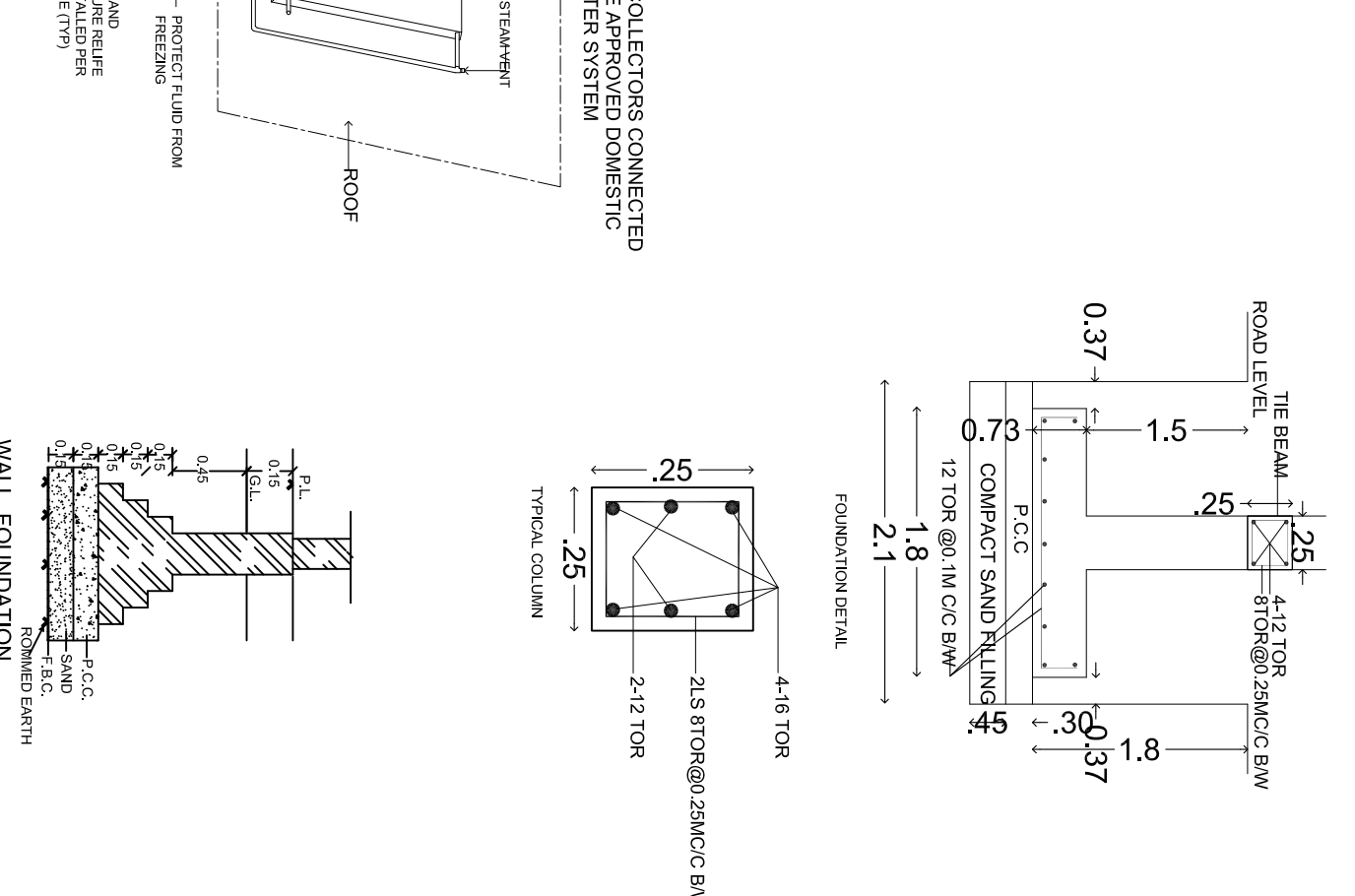
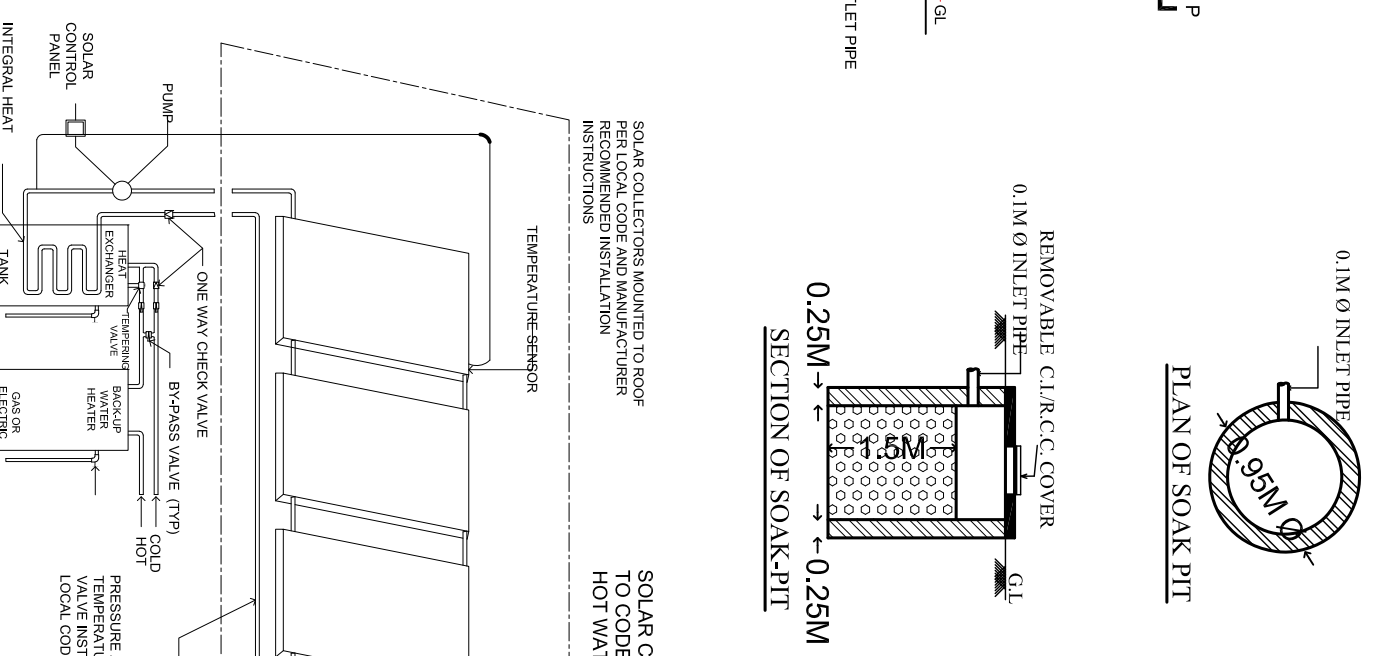
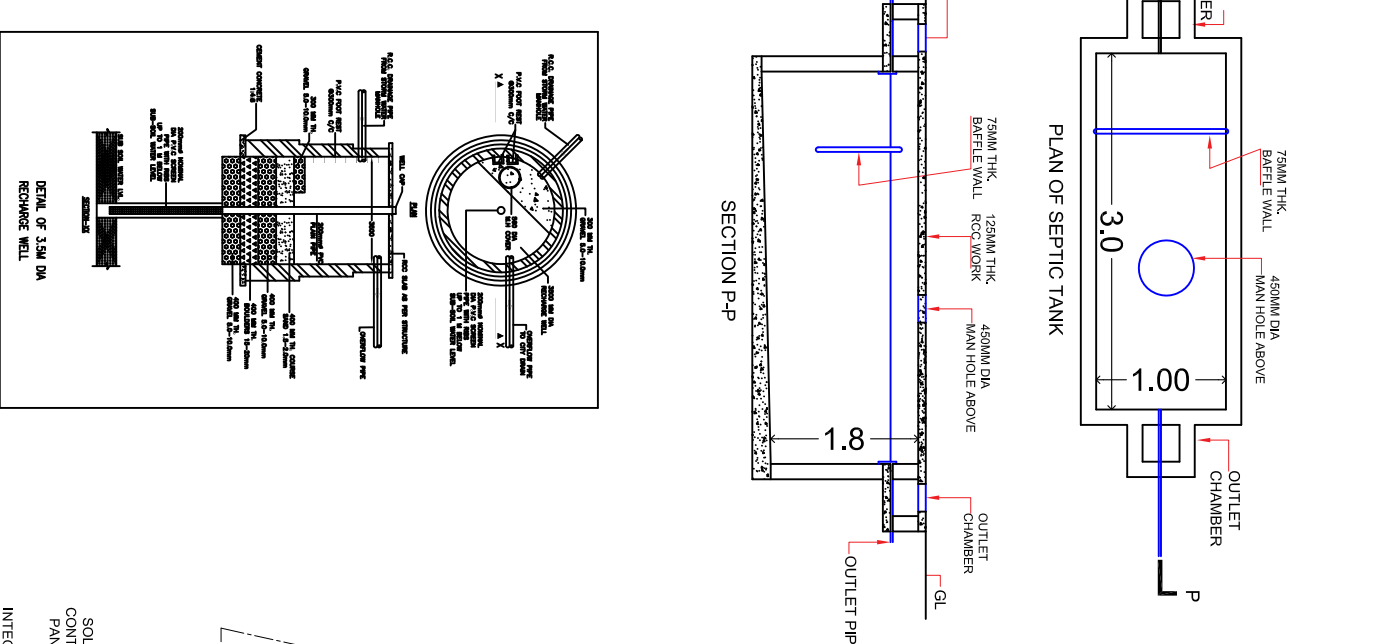
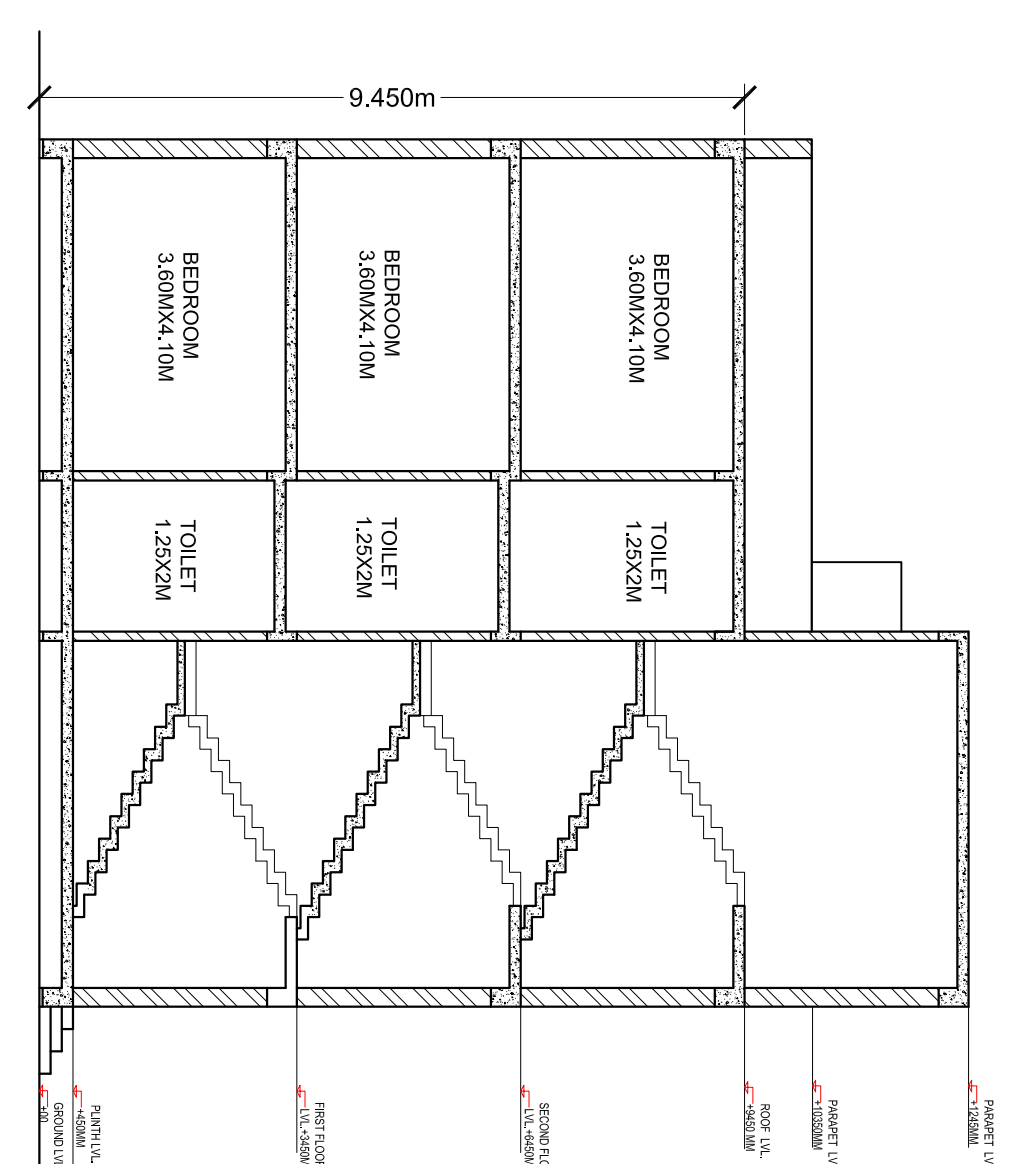
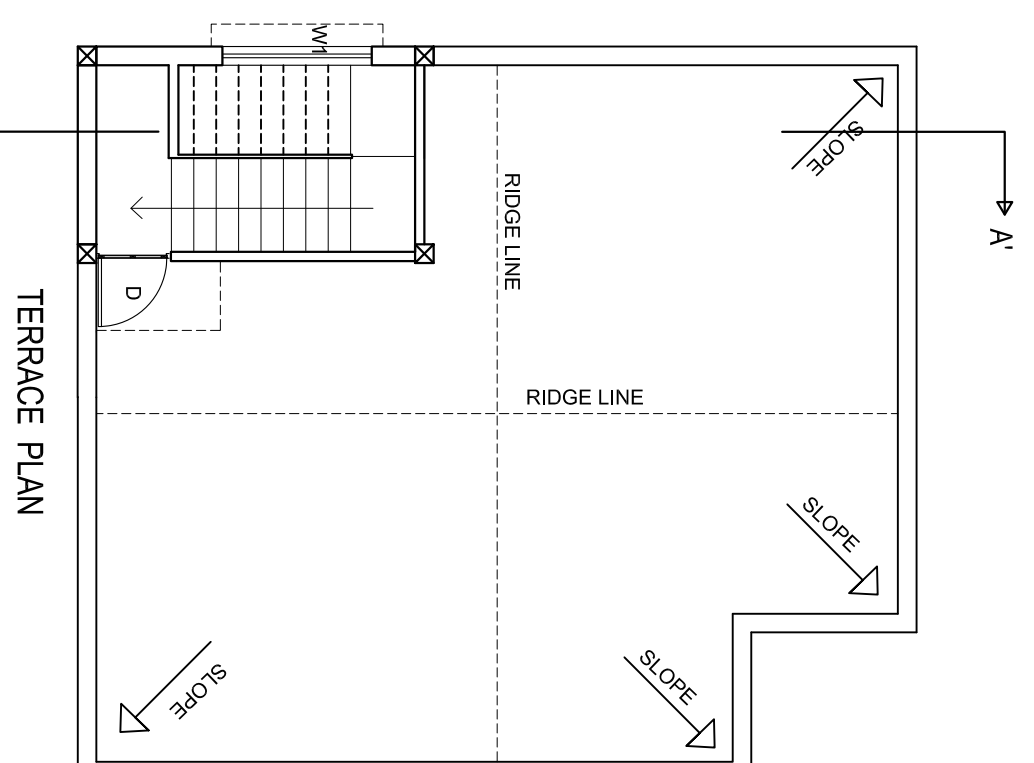


FRONT ELEVATION

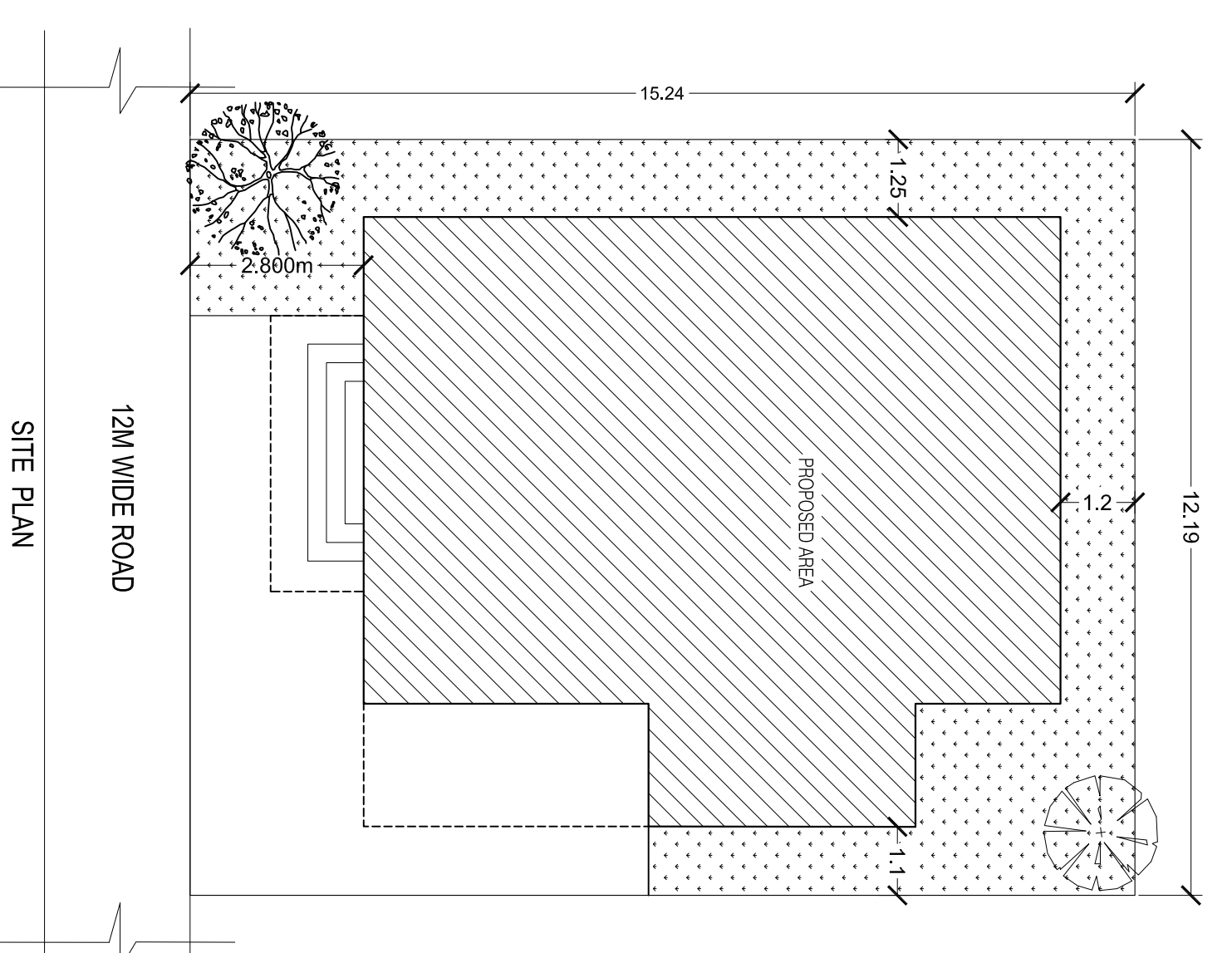
REAR ELEVATION

RIGHT SIDE ELEVATION

LEFT SIDE ELEVATION



SOLAR WATER HEATER SYSTEM



GROUND FLOOR PLAN

FIRST FLOOR PLAN

SECOND FLOOR PLAN