

SANCTION TEXT

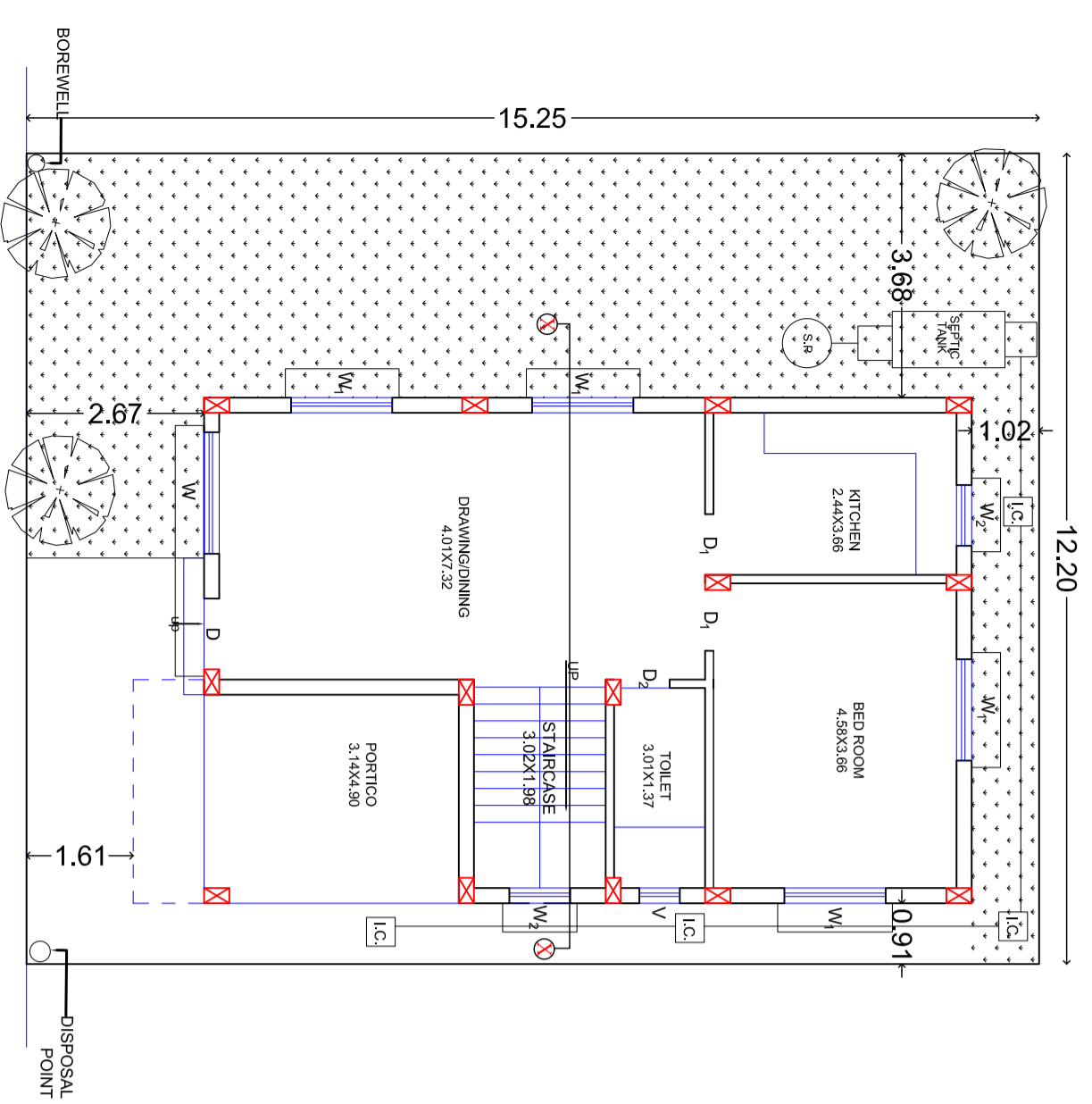
APPROVING AUTHORITY DIGITAL SIGNATURE

DOOR & WINDOW SCHEDULE		
SL. NO.	TYPE	DESCRIPTION
1	D	1.07 X 2.13 PANELLED DOOR
2	D1	0.91 X 2.13 PANELLED DOOR
3	D2	0.76 X 2.13 PANELLED DOOR
4	W	1.52 X 1.37 MS. GLAZED WINDOW
5	W1	0.91 X 1.37 MS. GLAZED WINDOW
6	W2	1.22 X 1.14 MS. GLAZED WINDOW
7	V	0.61 X 0.61 MS. GLAZED VENTILATOR

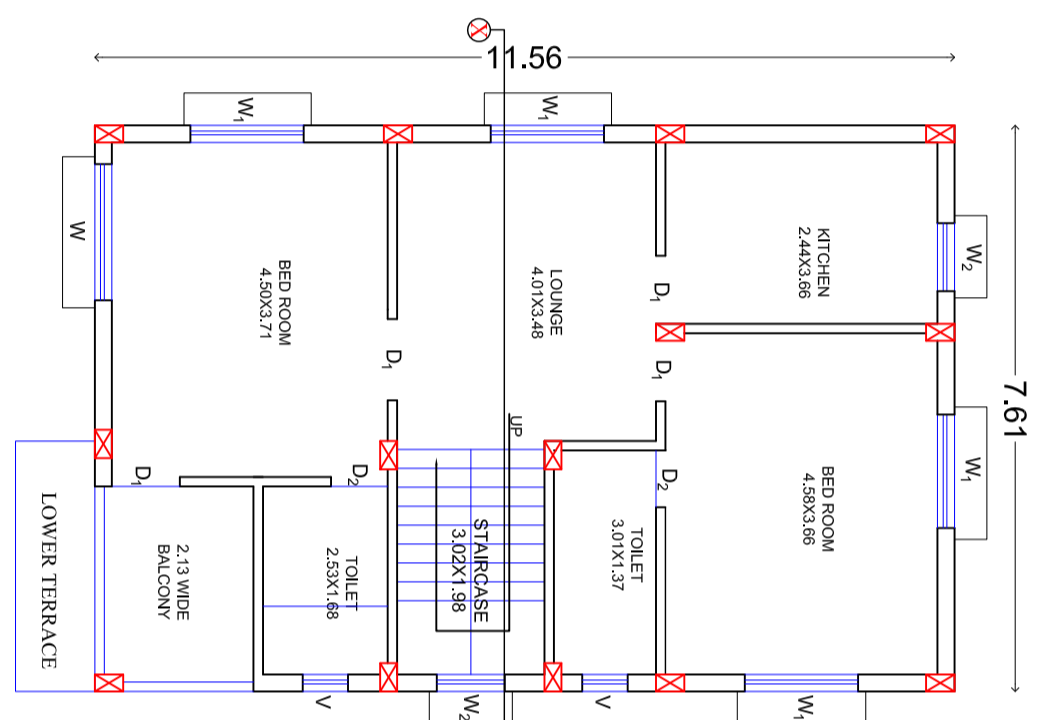
AREA AND BUILDING PARAMETERS	
PLOT DIMENSIONS (IN FEET)	40' x 50'
PLOT DIMENSIONS (IN MT)	12.20 M x 15.24M
PLOT AREA	185.87 SQMT
GROUND FLOOR BUILT UP AREA	87.91 SQMT
FIRST FLOOR BUILT UP AREA	87.91 SQMT
TOTAL BUILT UP AREA	175.82 SQMT
FLOOR AREA RATIO (FAR)	0.945
BUILDING HEIGHT	6.40 MT
PLANTATION AREA	71.12 SQMT
NUMBER OF TREES PROVIDED	03 NOS

APPLICANT DETAILS	
NAME OF APPLICANT	
ADDRESS	
CONTACT NUMBER	
LAND DETAILS	
REVENUE VILLAGE	
REVENUE PLOT NO	
SCHEME PLOT NO/LAYOUT	
PLOT NO./SUB PLOT NO	
KHATA NUMBER	

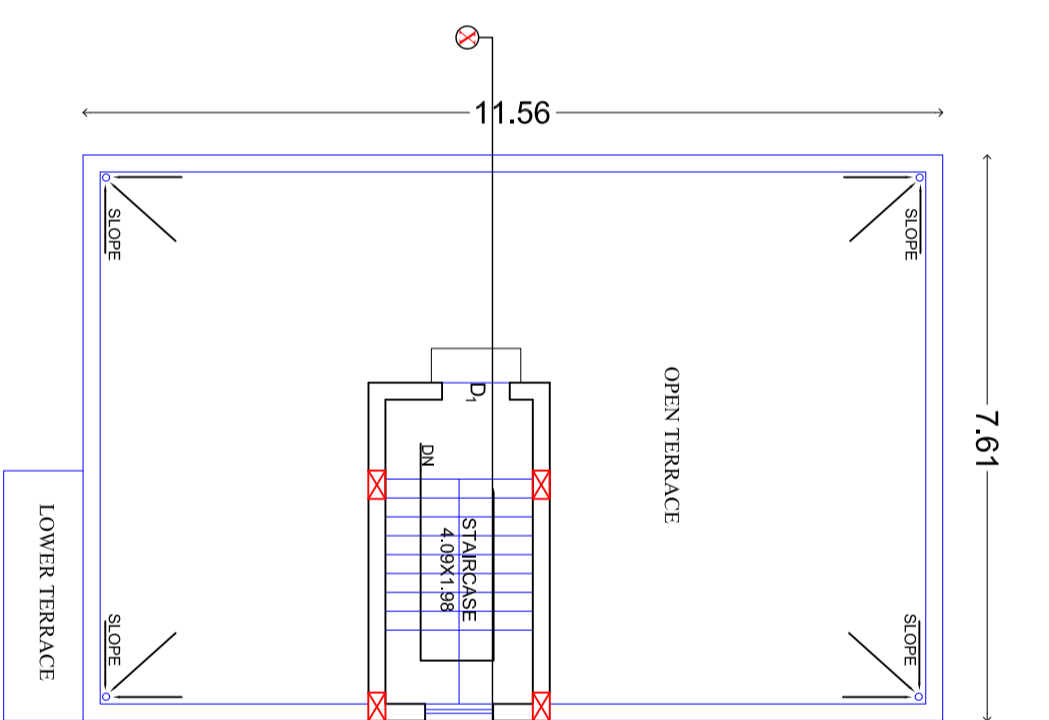
SITE PLAN



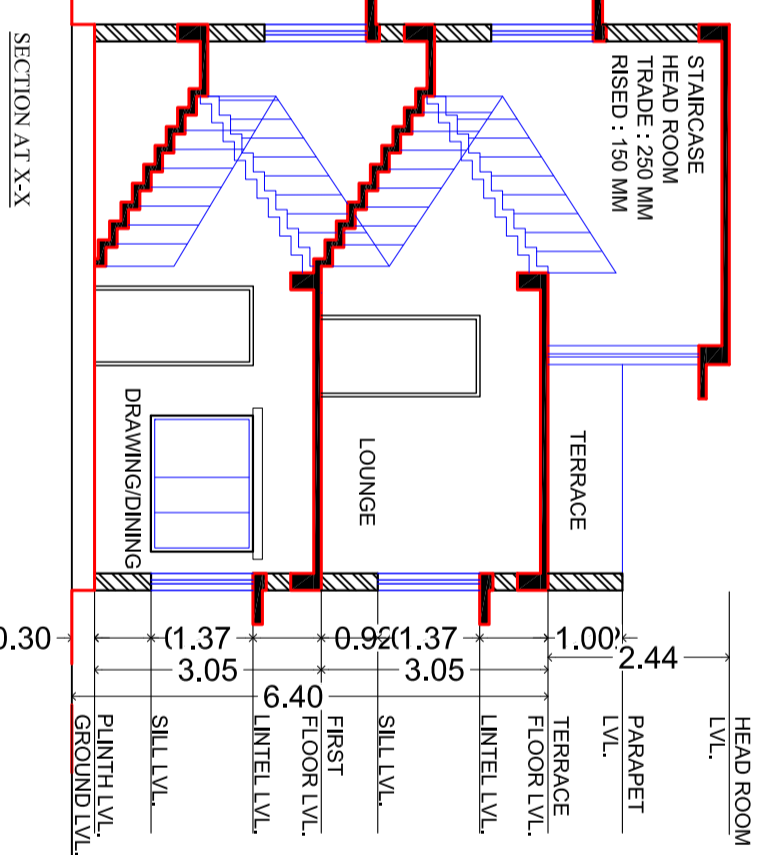
SITE LAYOUT CUM GROUND FLOOR PLAN



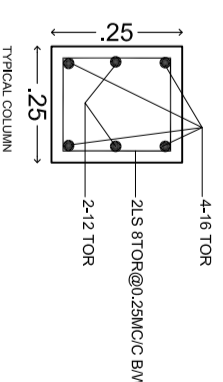
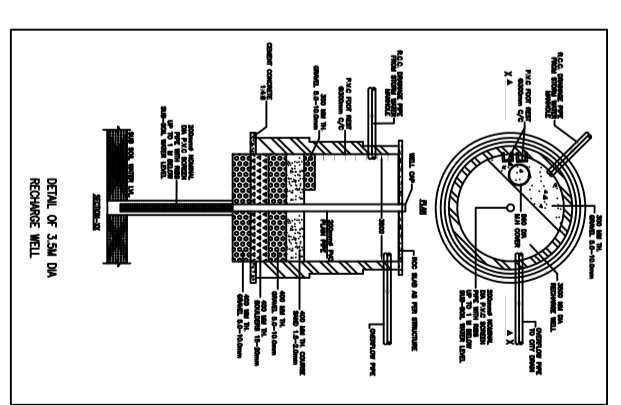
FIRST FLOOR PLAN



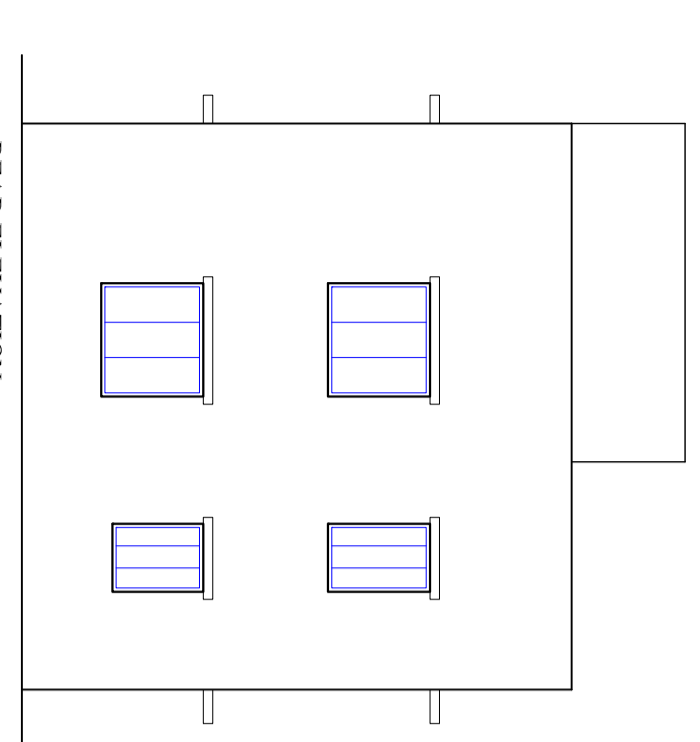
TERRACE FLOOR PLAN



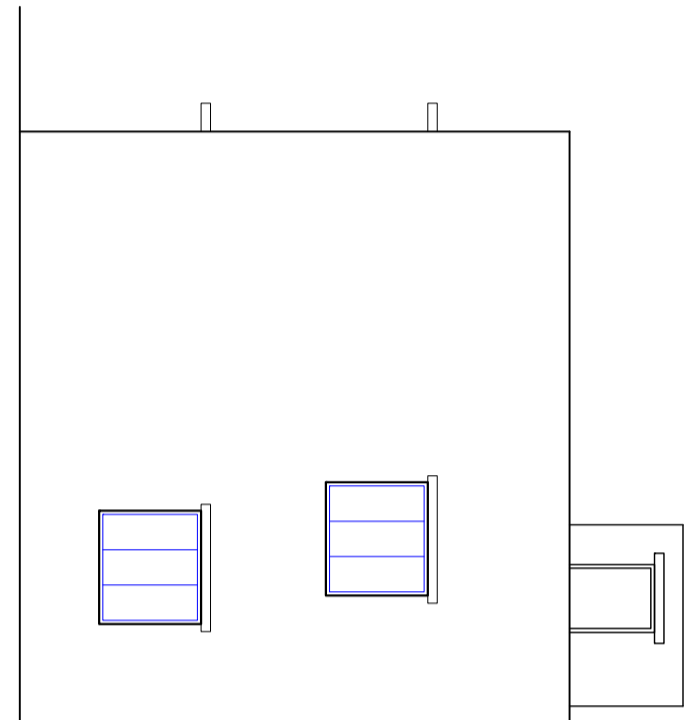
SECTION AT X-X



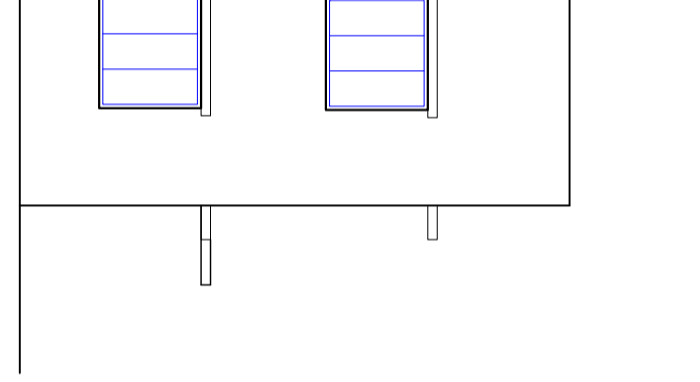
SECTION AT X-X



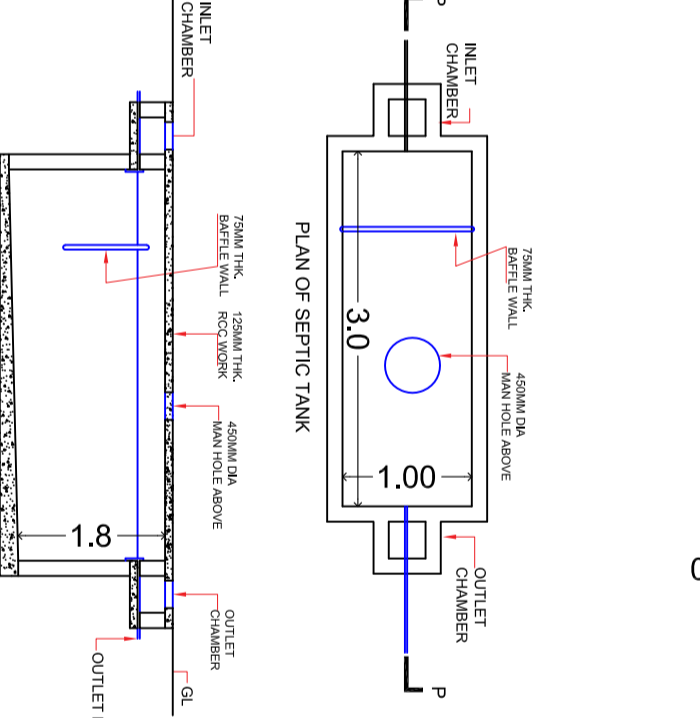
FRONT ELEVATION



RIGHT SIDE ELEVATION

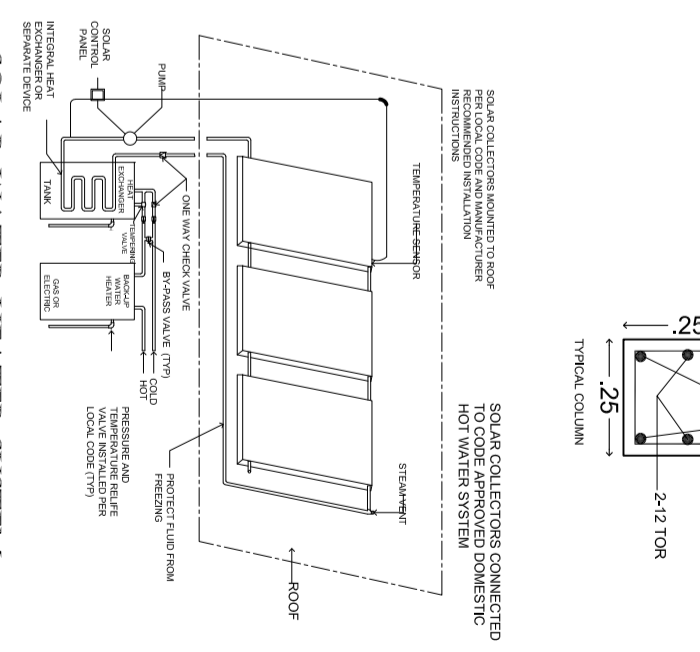


REAR ELEVATION



PLAN OF SEPTIC TANK

SECTION P-P



SOLAR WATER HEATER SYSTEM

PRINT ON A2 SIZE PAPER

DRAWING TITLE
PROPOSED G+1 STORED RESIDENTIAL HOUSE
THIS IS A STANDARDIZED PRE-APPROVED PLAN PROVIDED BY

