

Pre-Approved Building Plan No
30500905

SANCTION TEXT

APPROVING AUTHORITY DIGITAL SIGNATURE

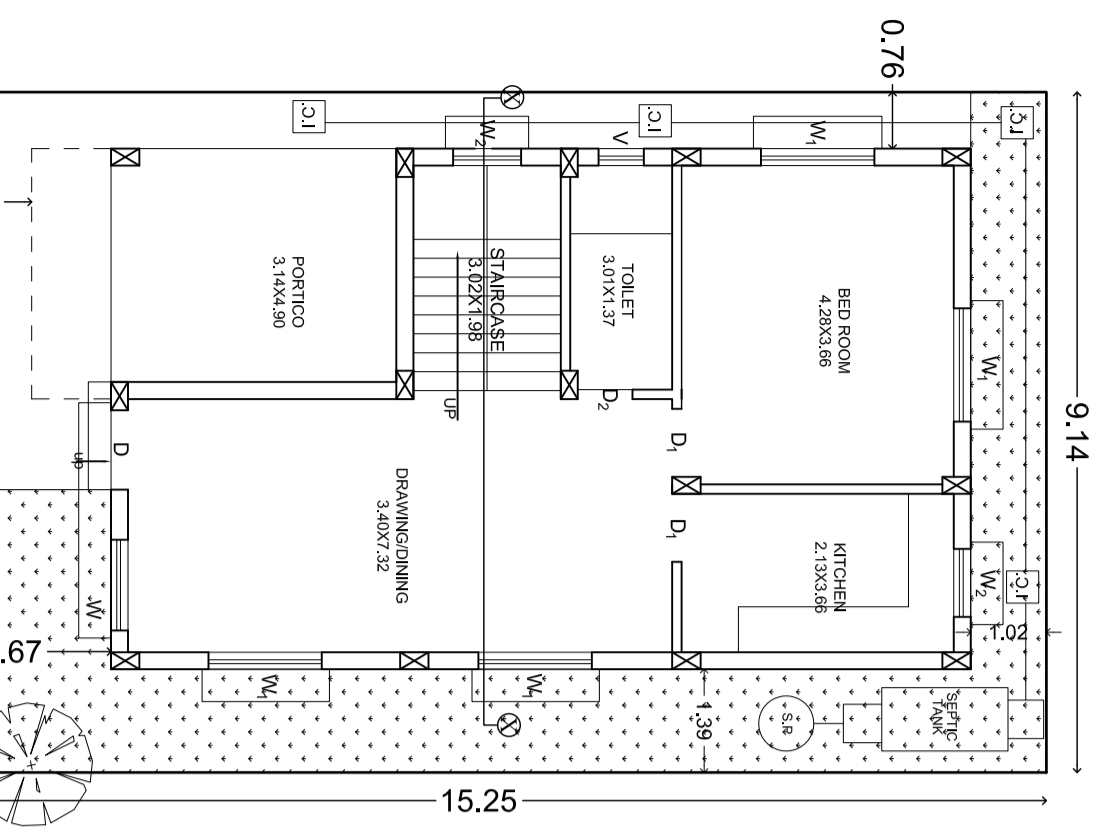
DOOR & WINDOW SCHEDULE			
SL. NO.	TYPE	SIZE	DESCRIPTION
1	D	1.07 X 2.13	PANELLED DOOR
2	D1	0.91 X 2.13	PANELLED DOOR
3	D2	0.76 X 2.13	PANELLED DOOR
4	W	1.52 X 1.37	MS. GLAZED WINDOW
5	W1	0.91 X 1.37	MS. GLAZED WINDOW
6	W2	1.22 X 1.14	MS. GLAZED WINDOW
7	V	0.61 X 0.61	MS. GLAZED VENTILATOR

AREA AND BUILDING PARAMETERS			
PLOT DIMENSIONS (IN FEET)	30' X 50'	PLOT DIMENSIONS (IN MT)	9.14M X 15.24M
PLOT AREA	139.38 SQMT	GROUND FLOOR BUILT UP AREA	80.86 SQMT
FIRST FLOOR BUILT UP AREA	80.86 SQMT	TOTAL BUILT UP AREA	161.72 SQMT
FLOOR AREA RATIO (FAR)	1.16	BUILDING HEIGHT	6.40 MT
PLANTATION AREA	35.48 SQMT	NUMBER OF TREES PROVIDED	02 NOS

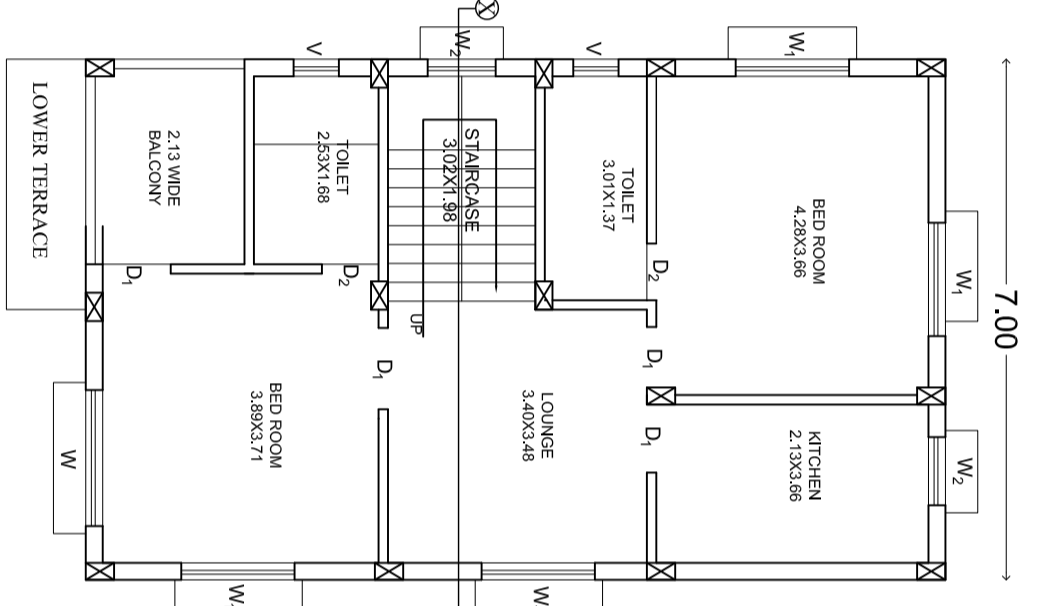
APPLICANT DETAILS	
NAME OF APPLICANT	
ADDRESS	
CONTACT NUMBER	

LAND DETAILS	
REVENUE VILLAGE	
REVENUE PLOT NO	
SCHEME PLOT NO/LAYOUT PLOT NO/ SUB PLOT NO	
KHATA NUMBER	

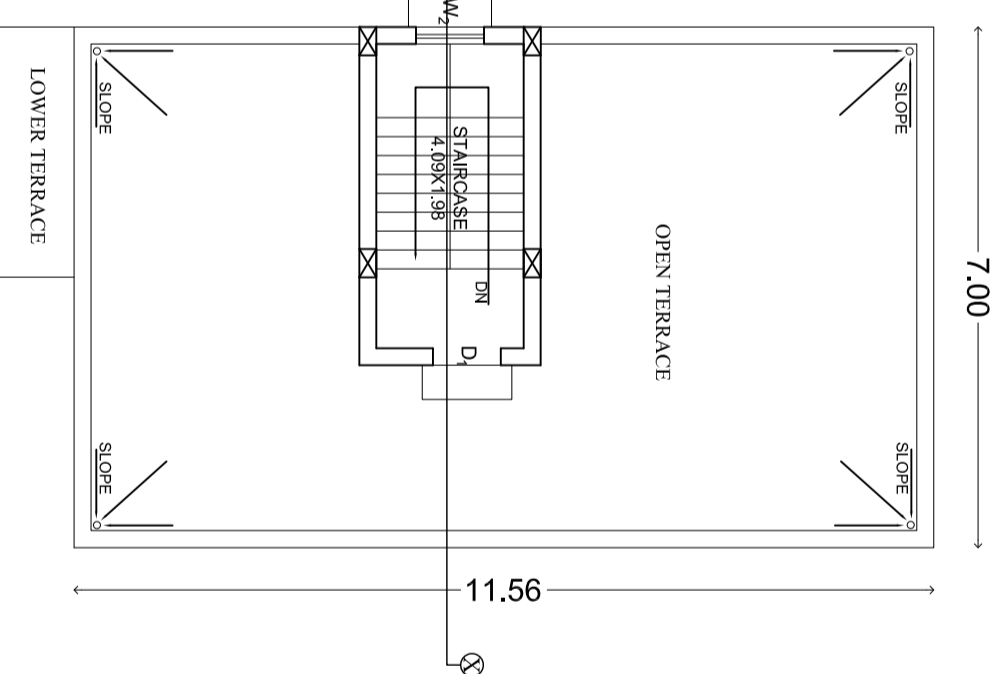
SITE PLAN



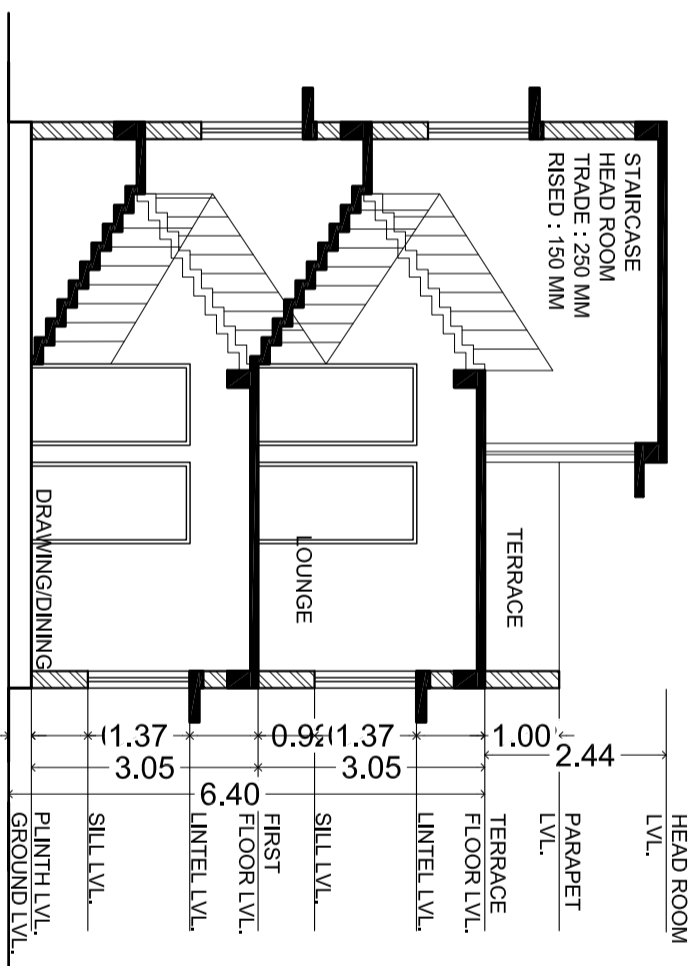
SITE LAYOUT PLAN CUM GROUND FLOOR PLAN



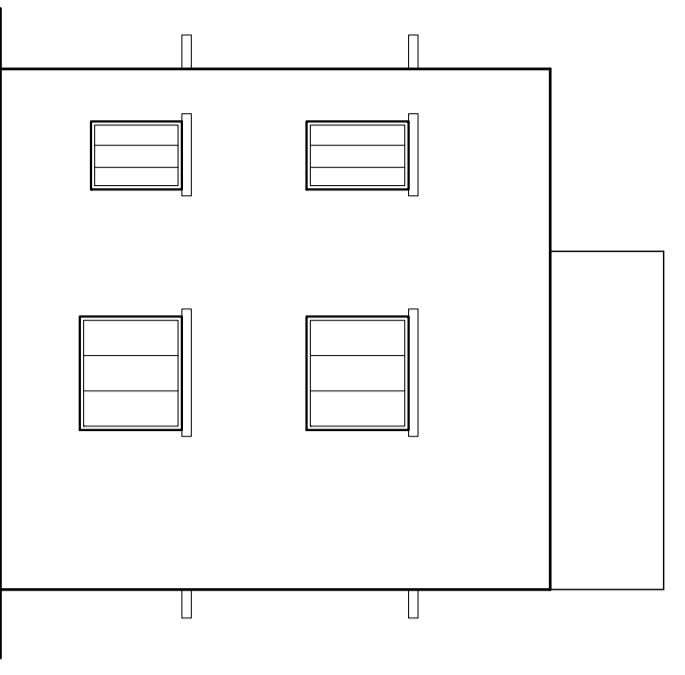
FIRST FLOOR PLAN



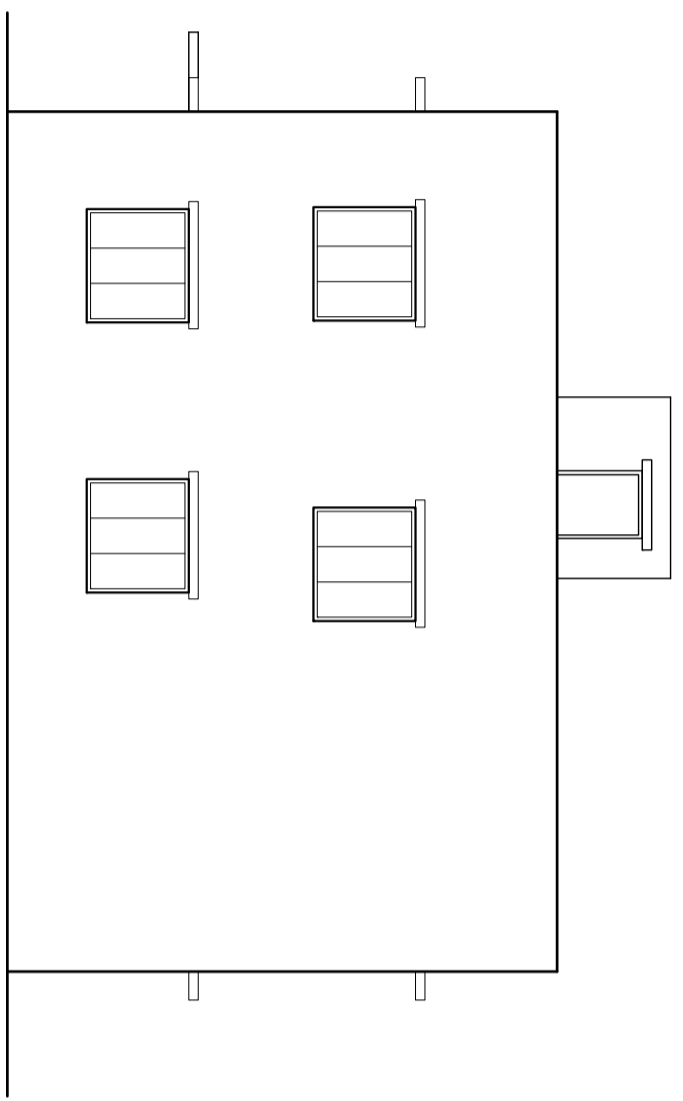
TERRACE FLOOR PLAN



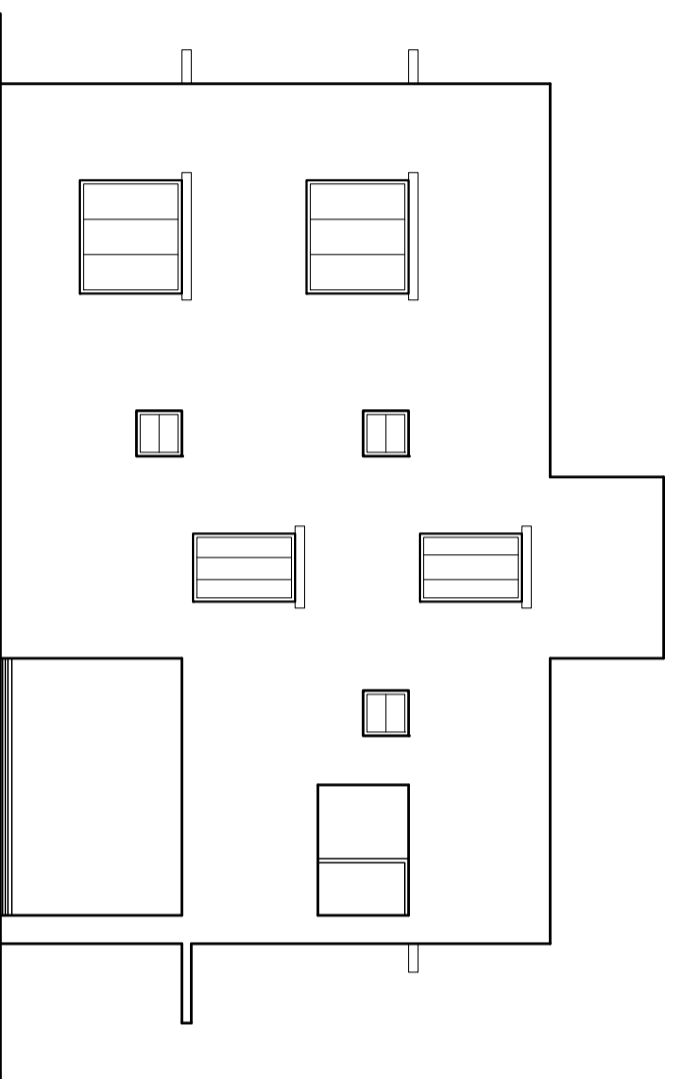
SECTION AT X-X



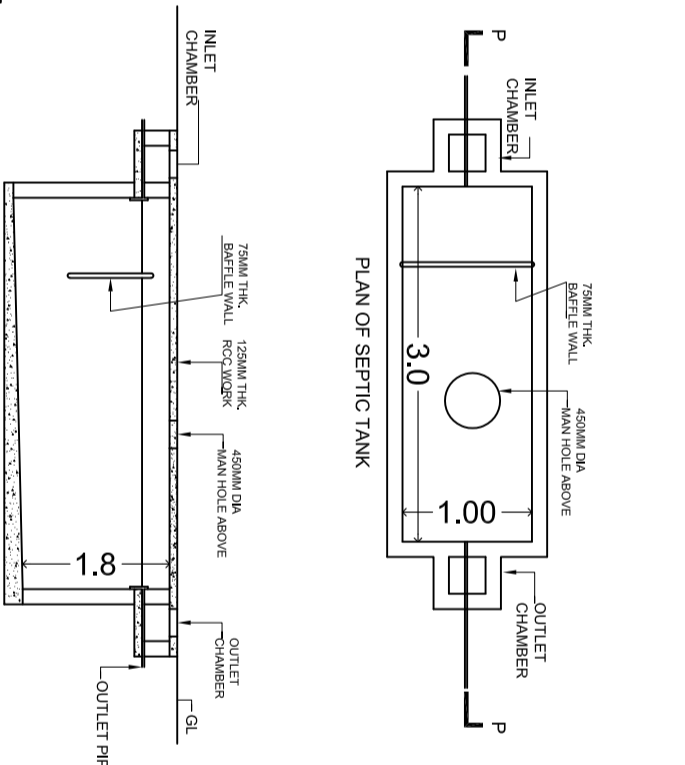
FRONT ELEVATION



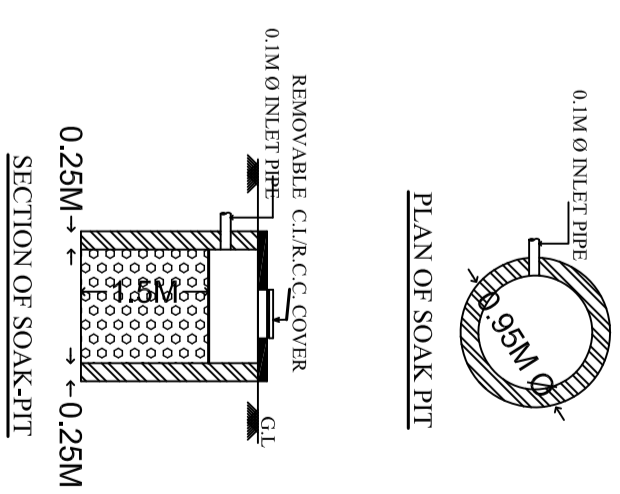
RIGHT SIDE ELEVATION



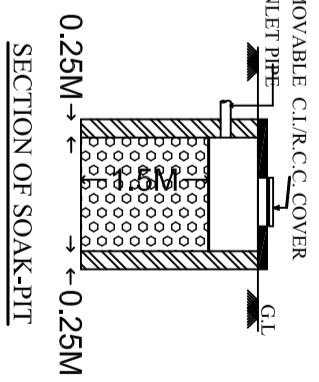
LEFT SIDE ELEVATION



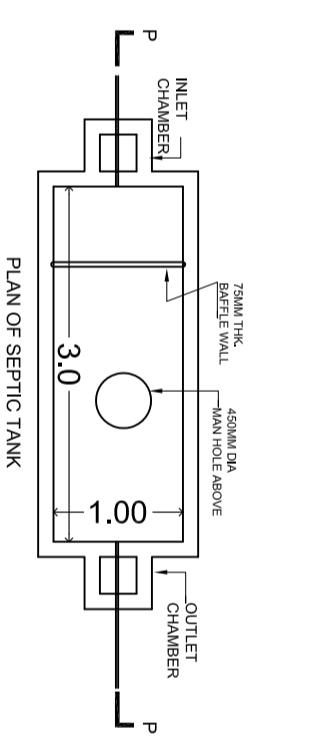
REAR ELEVATION



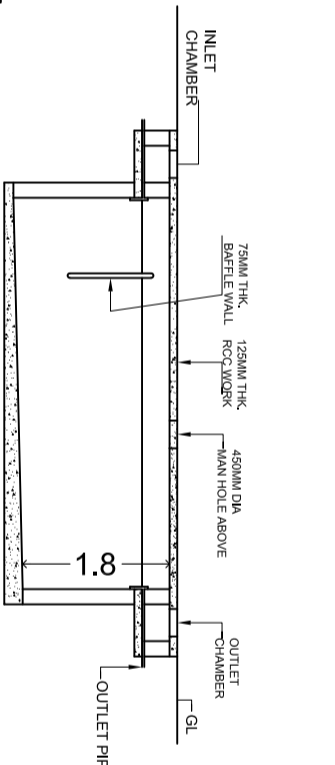
PLAN OF SOAK PIT



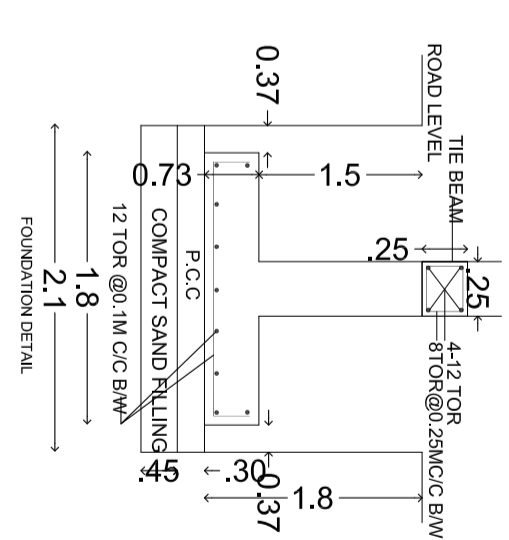
SECTION OF SOAK-PIT



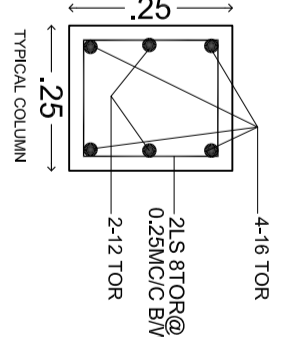
PLAN OF SEPTIC TANK



SECTION P-P



FOUNDATION DETAIL



TYPICAL COLUMN

DETAILINGS

DRAWING TITLE
PROPOSED G+1 STORIED RESIDENTIAL HOUSE
THIS IS A STANDARDIZED PRE-APPROVED PLAN PROVIDED BY

