

SANCTION TEXT

APPROVING AUTHORITY DIGITAL SIGNATURE

DOOR & WINDOW SCHEDULE

| S/L NO. | TYPE | SIZE | DESCRIPTION |
|---------|------|-------------|-----------------------|
| 1 | D | 1.07 X 2.13 | PANELLED DOOR |
| 2 | D1 | 0.91 X 2.13 | PANELLED DOOR |
| 3 | D2 | 0.76 X 2.13 | PANELLED DOOR |
| 4 | W | 1.52 X 1.37 | MS. GLAZED WINDOW |
| 5 | W1 | 0.91 X 1.37 | MS. GLAZED WINDOW |
| 6 | W2 | 1.22 X 1.14 | MS. GLAZED WINDOW |
| 7 | V | 0.61 X 0.61 | MS. GLAZED VENTILATOR |

AREA AND BUILDING PARAMETERS

| | |
|----------------------------|----------------|
| PLOT DIMENSIONS (IN FEET) | 25' X 40' |
| PLOT DIMENSIONS (IN MT) | 7.62M X 12.19M |
| PLOT AREA | 92.88 SQMT |
| GROUND FLOOR BUILT UP AREA | 67.59 SQMT |
| FIRST FLOOR BUILT UP AREA | 0 SQMT |
| TOTAL BUILT UP AREA | 67.59 SQMT |
| FLOOR AREA RATIO (FAR) | 0.75 |
| BUILDING HEIGHT | 3.60 MT |
| PLANTATION AREA | |
| NUMBER OF TREES PROVIDED | 1 NOS. |

APPLICANT DETAILS

| | |
|-------------------|--|
| NAME OF APPLICANT | |
| ADDRESS | |
| CONTACT NUMBER | |

LAND DETAILS

| | |
|------------------------|--|
| REVENUE VILLAGE | |
| REVENUE PLOT NO | |
| SCHEME PLOT NO/ LAYOUT | |
| PLOT NO/ SUB PLOT NO | |
| KHATA NUMBER | |

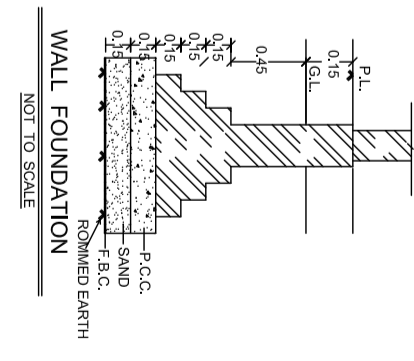
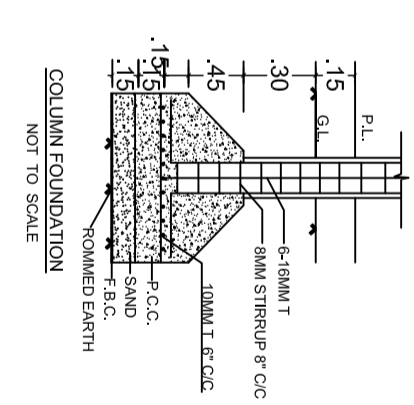
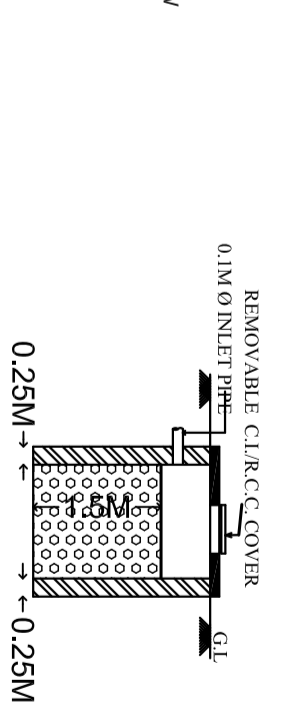
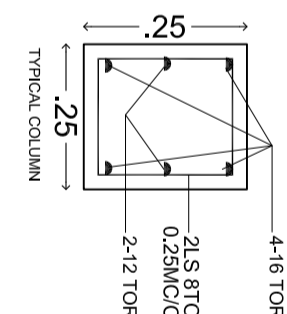
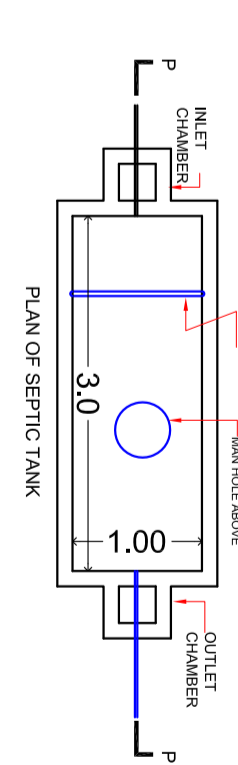
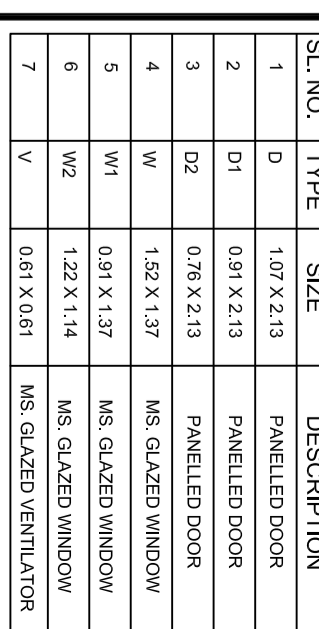
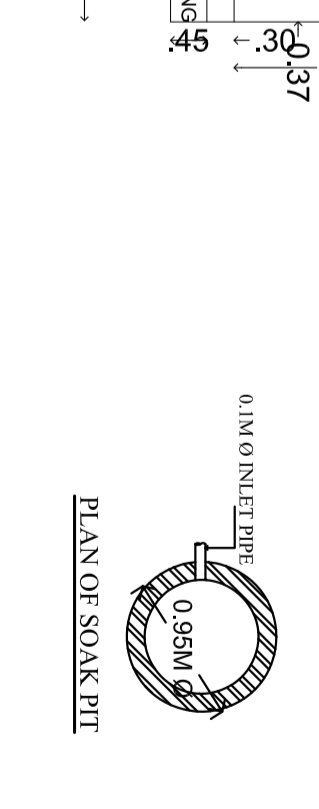
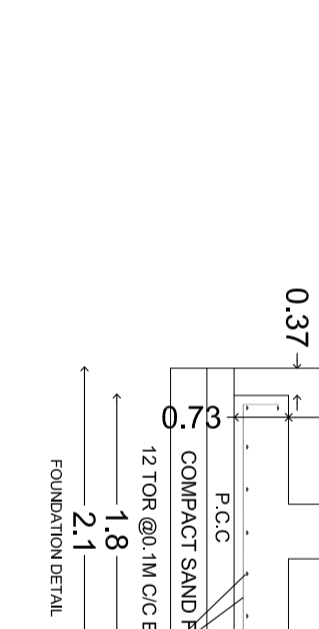
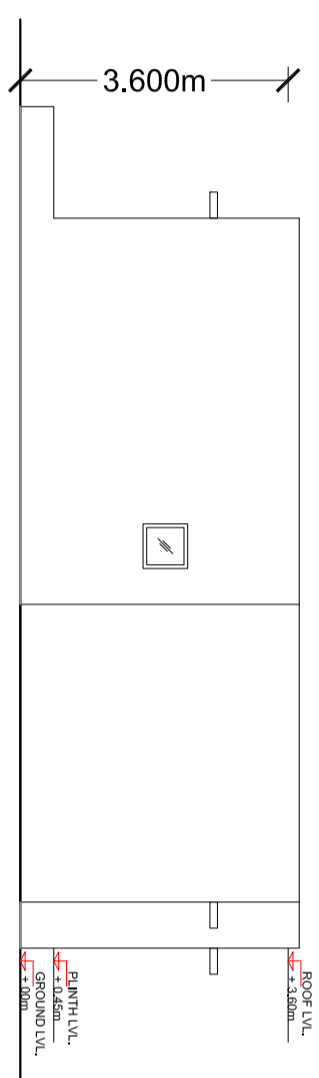
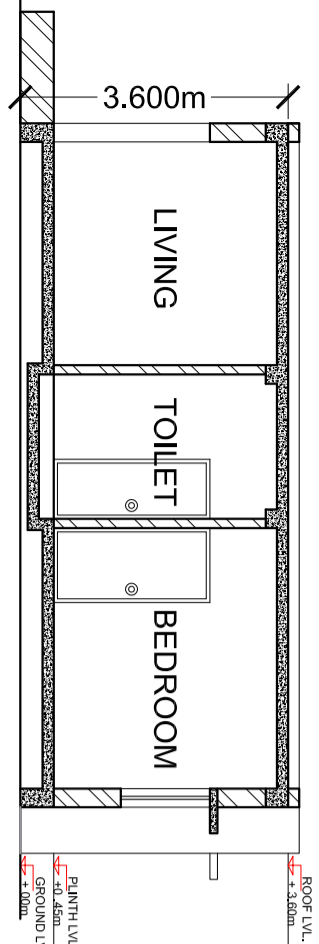
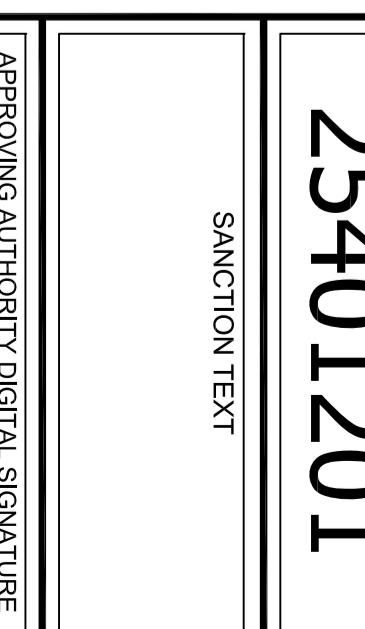
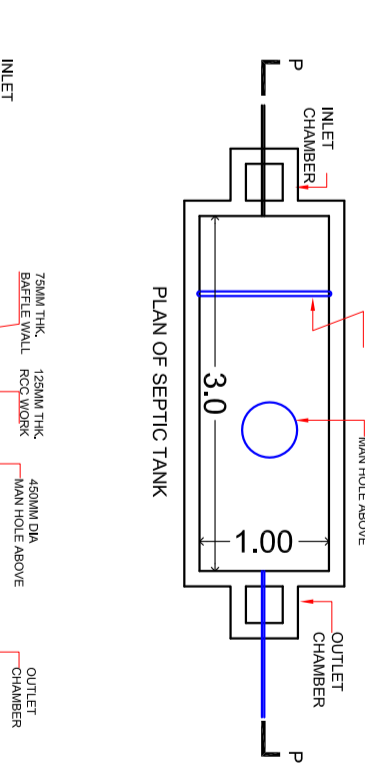
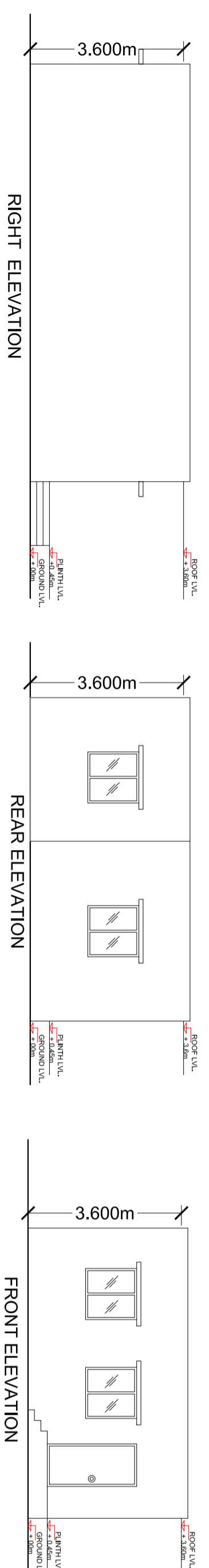
SITE PLAN

| | |
|------------------------|--|
| REVENUE VILLAGE | |
| REVENUE PLOT NO | |
| SCHEME PLOT NO/ LAYOUT | |
| PLOT NO/ SUB PLOT NO | |
| KHATA NUMBER | |

DRAWING TITLE

PROPOSED SINGLE STORED RESIDENTIAL HOUSE

THIS IS A STANDARDIZED PRE-APPROVED PLAN PROVIDED BY



STRAP FOOTING:- SF-1

