

Pre-Approved Building Plan No  
**25400903**

SANCTION TEXT

APPROVING AUTHORITY DIGITAL SIGNATURE

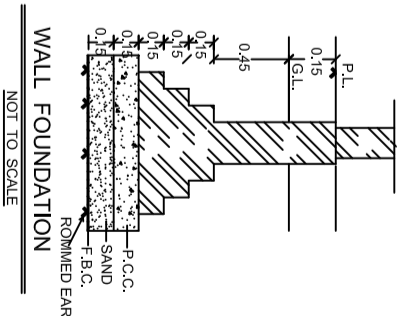
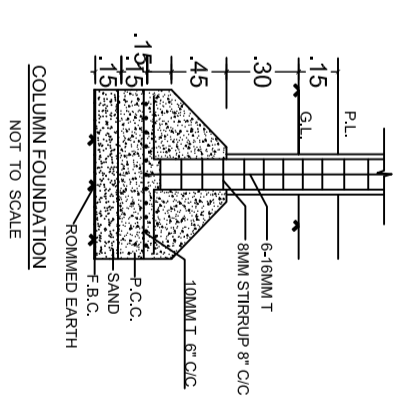
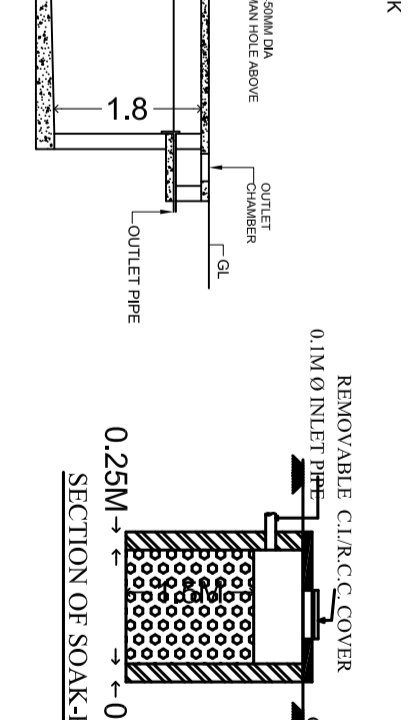
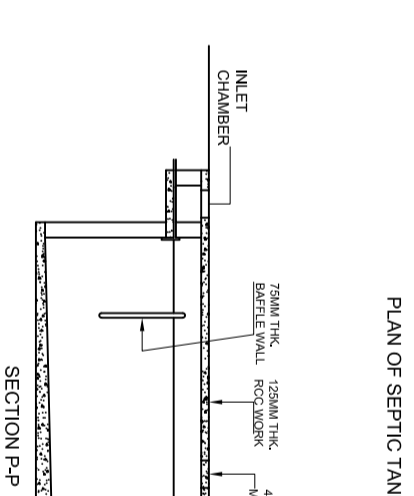
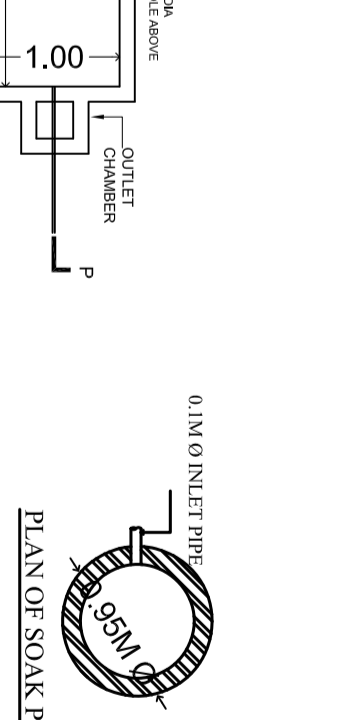
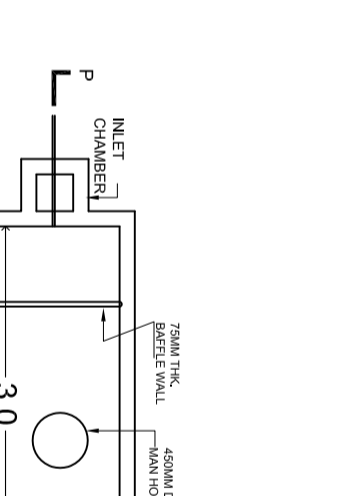
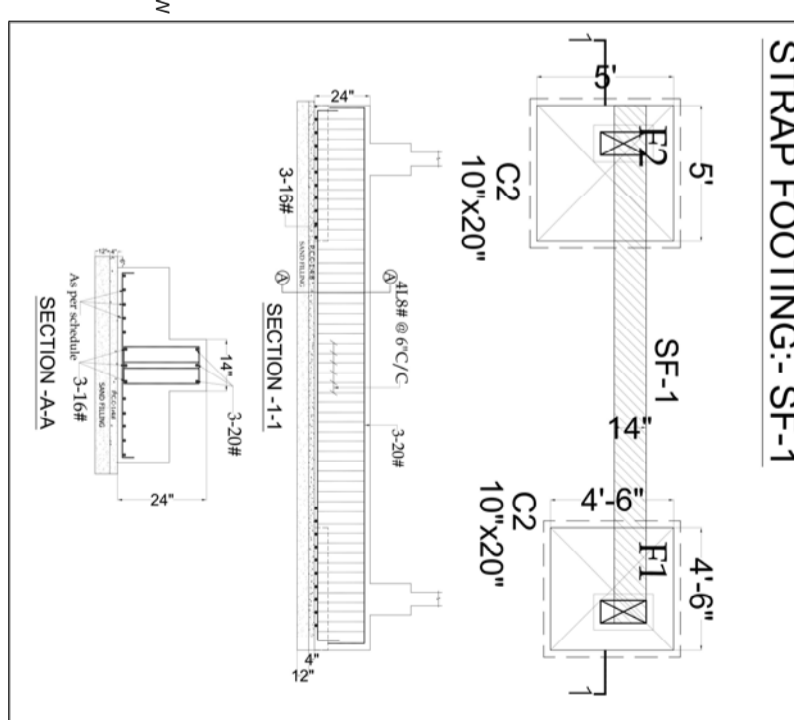
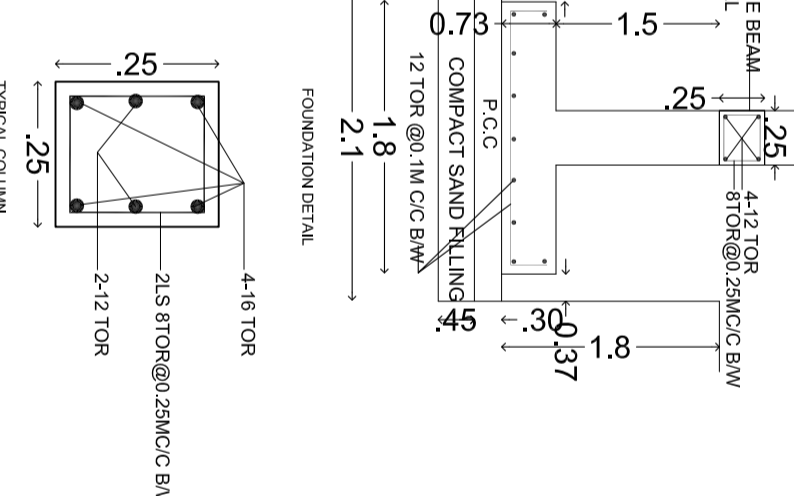
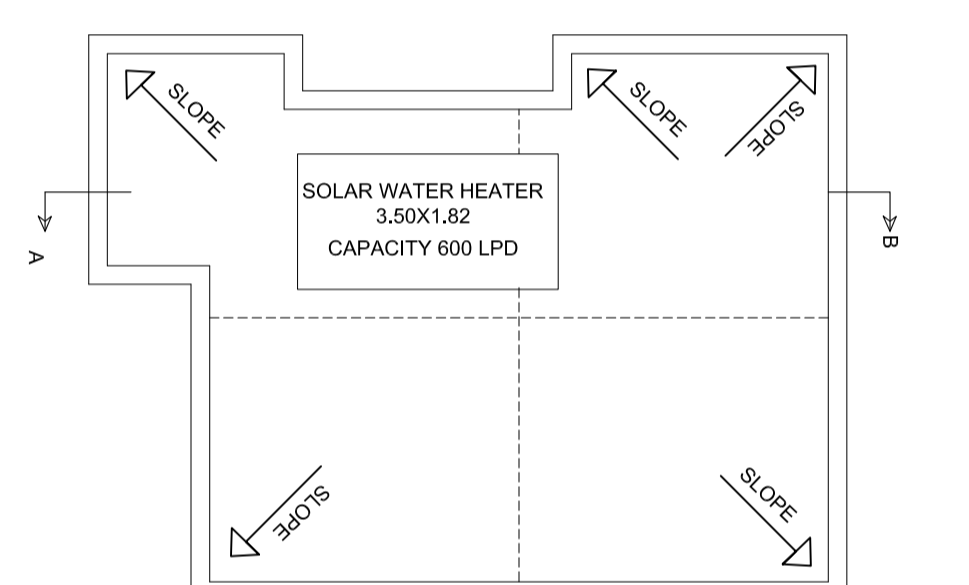
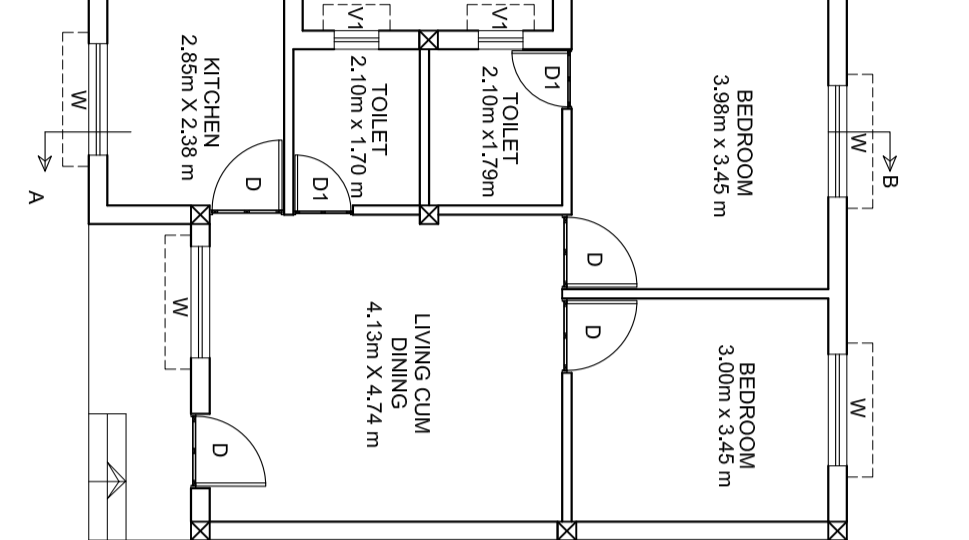
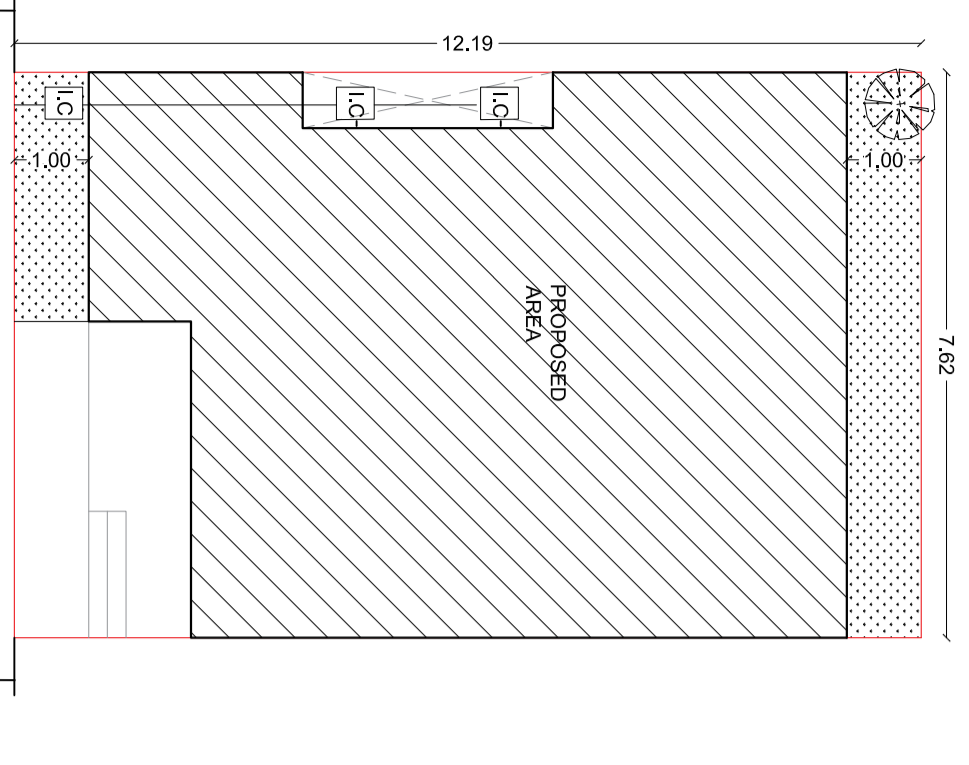
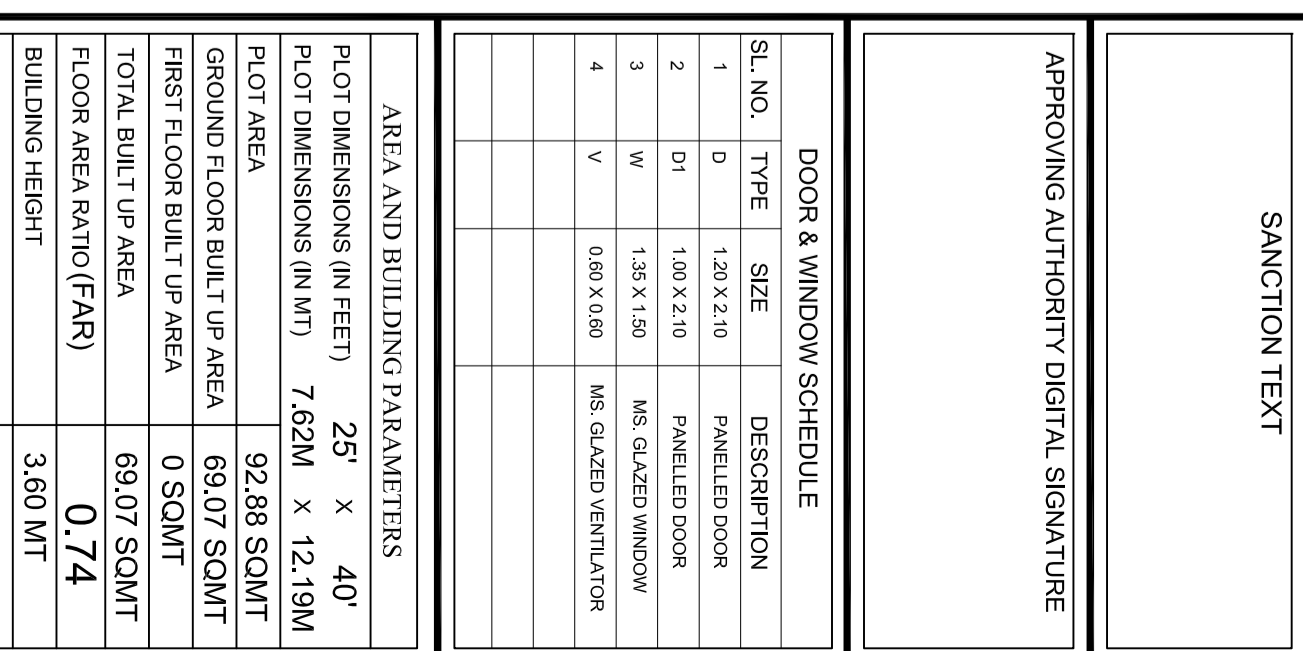
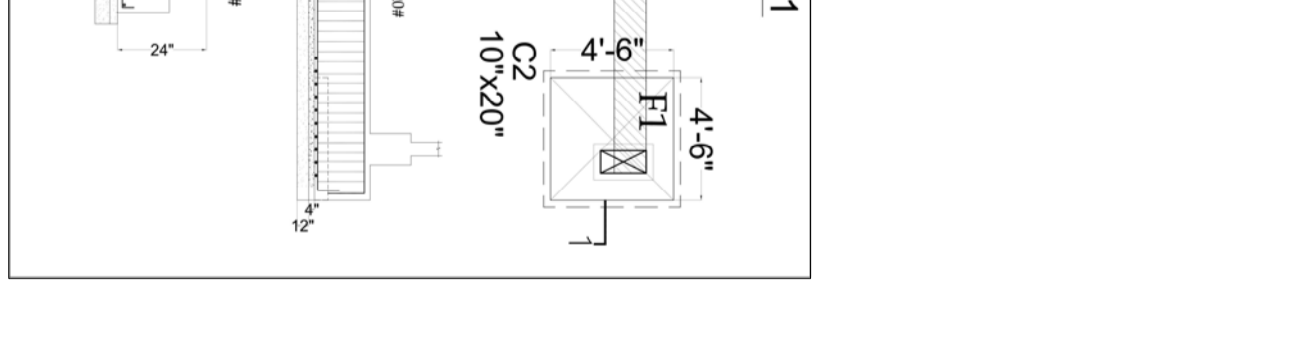
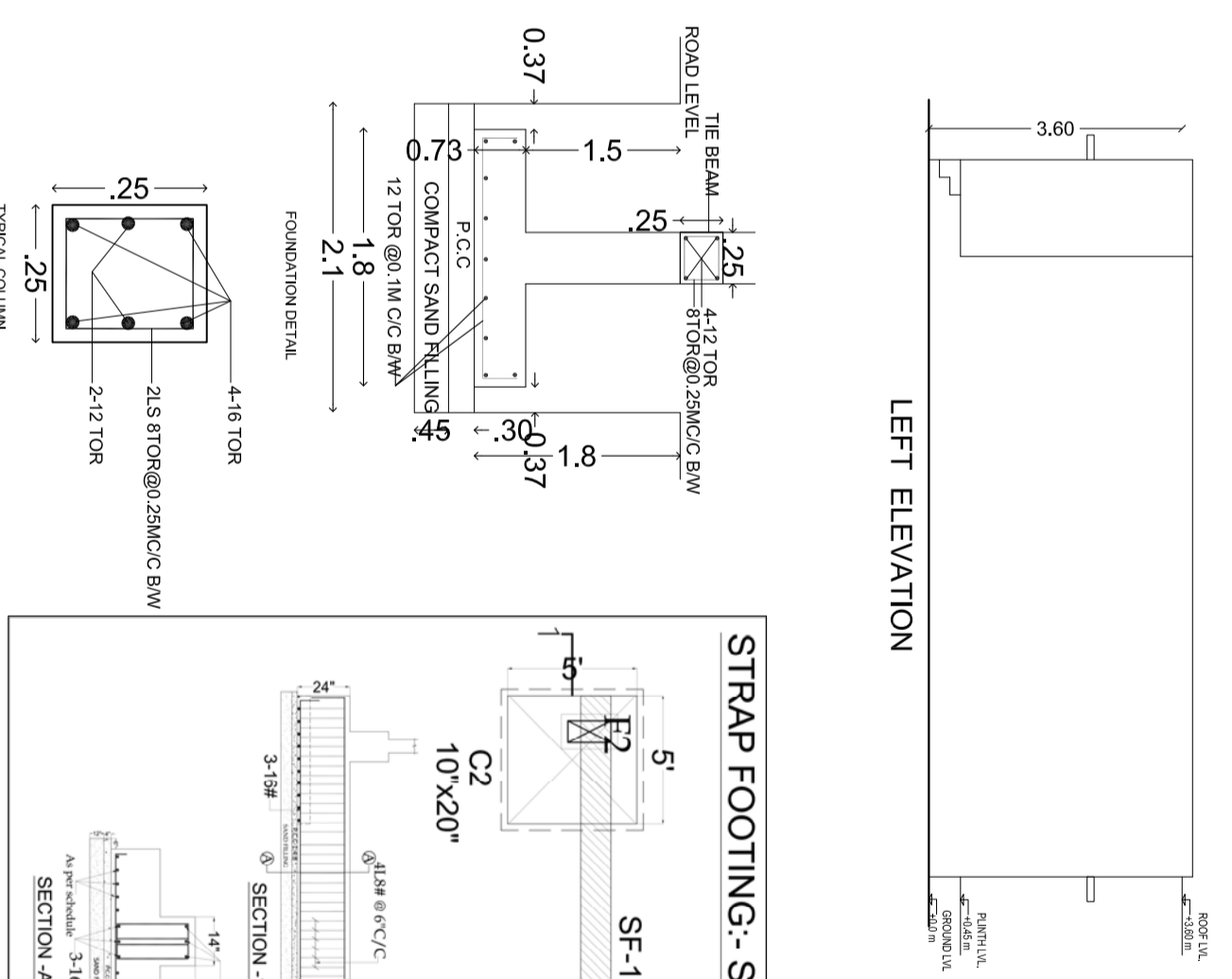
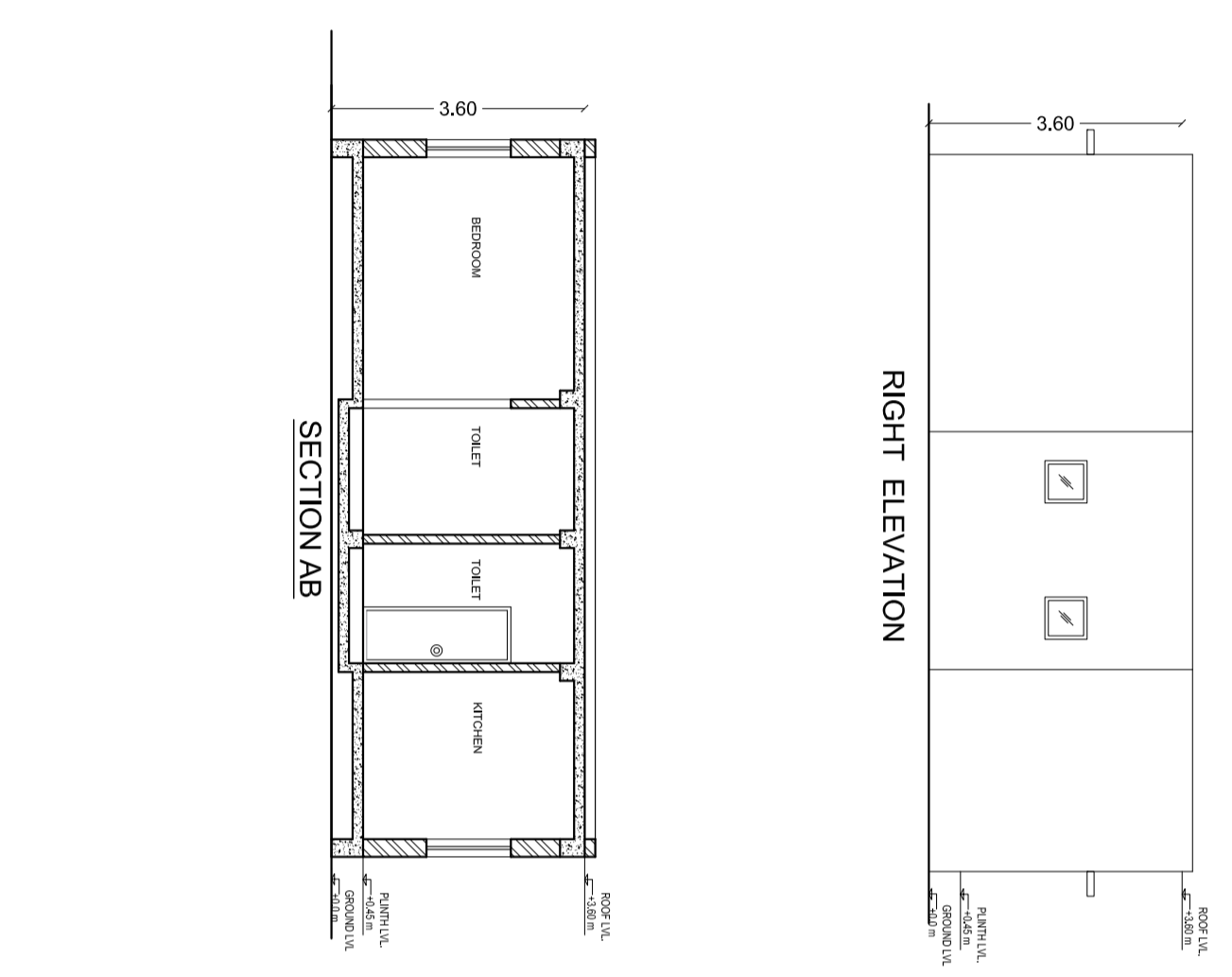
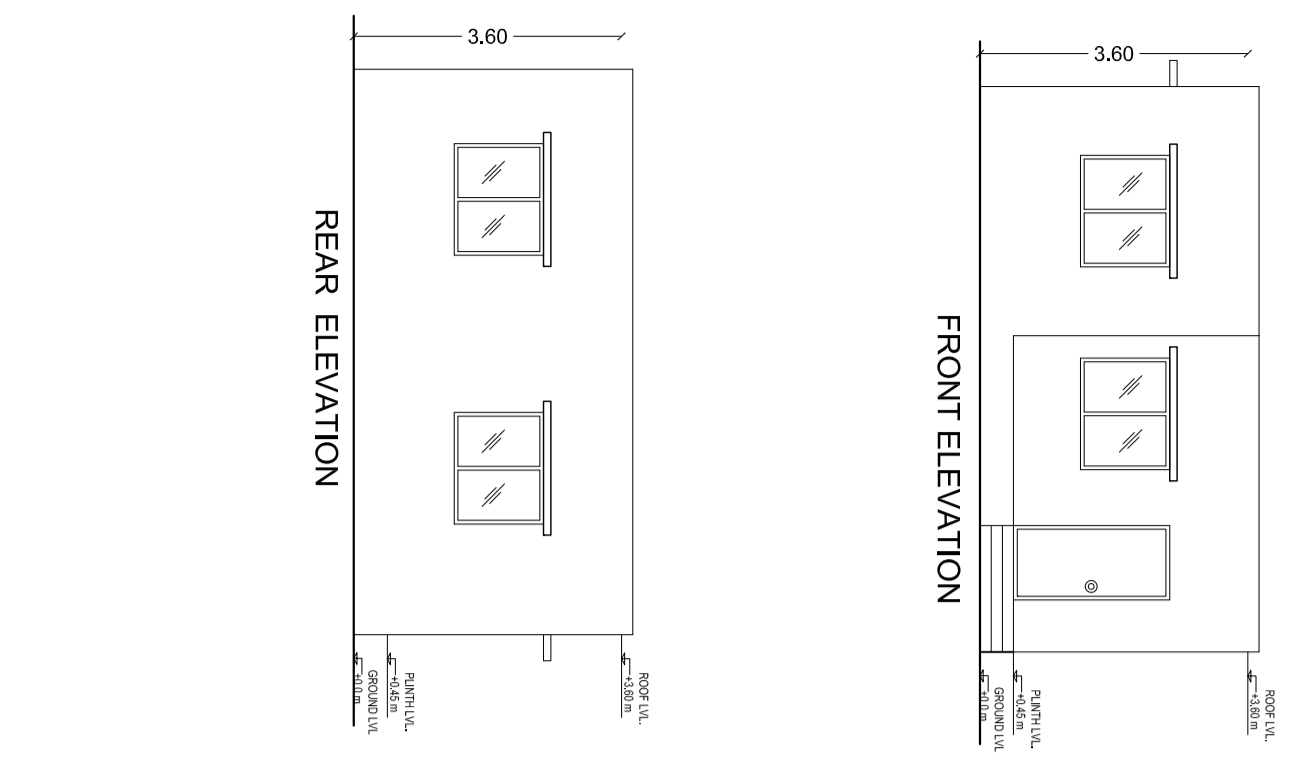
DOOR & WINDOW SCHEDULE			
SL. NO.	TYPE	SIZE	DESCRIPTION
1	D	1.20 X 2.10	PANELLED DOOR
2	D1	1.00 X 2.10	PANELLED DOOR
3	W	1.35 X 1.50	MS. GLAZED WINDOW
4	V	0.60 X 0.60	MS. GLAZED VENTILATOR

AREA AND BUILDING PARAMETERS			
PLOT DIMENSIONS (IN FEET)	25' X 40'		
PLOT DIMENSIONS (IN MT)	7.62M X 12.19M		
PLOT AREA	92.88 SQMT		
GROUND FLOOR BUILT UP AREA	69.07 SQMT		
FIRST FLOOR BUILT UP AREA	0 SQMT		
TOTAL BUILT UP AREA	69.07 SQMT		
FLOOR AREA RATIO (FAR)	0.74		
BUILDING HEIGHT	3.60 MT		
PLANTATION AREA			
NUMBER OF TREES PROVIDED	1 NOS.		

APPLICANT DETAILS	
NAME OF APPLICANT	
ADDRESS	
CONTACT NUMBER	

LAND DETAILS	
REVENUE VILLAGE	
REVENUE PLOT NO	
SCHEME PLOT NO/ LAYOUT	
PLOT NO/ SUB PLOT NO	
KHATA NUMBER	

SITE PLAN



DRAWING TITLE  
**PROPOSED SINGLE STORED  
RESIDENTIAL HOUSE**  
THIS IS A STANDARDIZED PRE-APPROVED  
PLAN PROVIDED BY

